



Plastic Level Switches

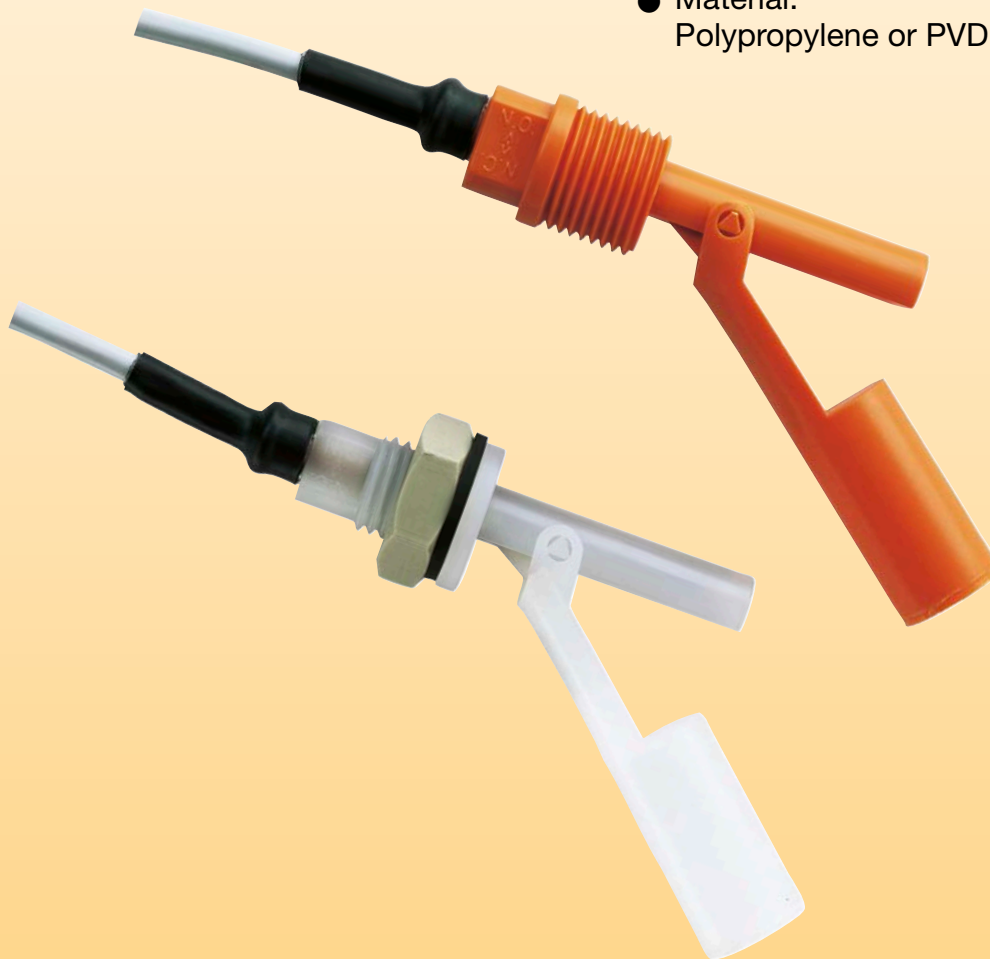


measuring
•
monitoring
•
analysing

NKP



- p_{max} : 10 bar; t_{max} : 100 °C
- Connection:
G 1/2, 1/2" NPT, M 16
- Material:
Polypropylene or PVDF



N1

KOBOLD companies worldwide:

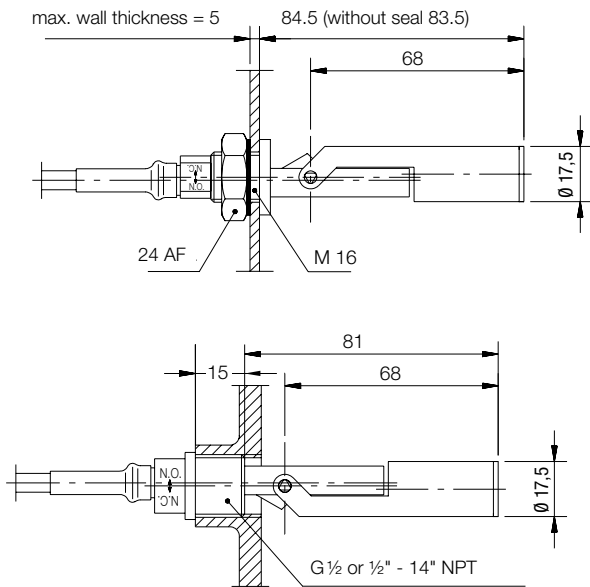
AUSTRALIA, AUSTRIA, BELGIUM, BULGARIA, CANADA, CHINA, CZECHIA, FRANCE, GERMANY, GREAT BRITAIN, HUNGARY, INDIA, INDONESIA, ITALY, MALAYSIA, MEXICO, NETHERLANDS, PERU, POLAND, REPUBLIC OF KOREA, RUSSIA, SPAIN, SWITZERLAND, THAILAND, TUNISIA, TURKEY, USA, VIETNAM

KOBOLD Messring GmbH
Nordring 22-24
D-65719 Hofheim/Ts.
☎ Head Office:
+49(0)6192 299-0
✉ +49(0)6192 23398
info.de@kobold.com
www.kobold.com

Description

The plastic level switch NKP is designed for economical control of liquids in vessels. Many industrial applications can be realized with two different plastic versions each with three different mountings. The switch is remarkable for its maintenance-free design, small dimensions and reed contacts with high switch capacity. The switch is mounted on the side of the vessel. A hinged plastic float with a magnet floats up and down through the liquid level. The encapsulated reed contact is operated by the magnet. The switching function (N/O contact/N/C contact) is determined by the installation position. The switching function is reversed by simply rotating the switch through 180°.

Dimensions



Applications

- Car washes
- Cleaning machines
- Plastic tanks

Order Details (Example: NKP-14011)

Model	Connection	Housing material	Cable	Certificate
NKP-	1 = G 1/2	401 = Polypropylene 501 = PVDF	1 = 1 m PVC cable	empty = without C = cCSAus
	2 = 1/2" NPT		1.6 = 1.6 m PVC cable	
	6 = M 16		3 = 3 m PVC cable	
			6 = 6 m PVC cable	
			10 = 10 m PVC cable	
			Y = special length*	

*Please specify in the clear text (only possible for cable lengths > 10 m)

Technical Details

- Switch housing: NKP-14..., -24..., -64...: polypropylene
NKP-15..., -25..., -65...: PVDF
- Connections: NKP-1...: G 1/2
NKP-2...: 1/2" NPT
NKP-6...: M 16
- Float: NKP-14..., -24..., -64...: polypropylene
NKP-15..., -25..., -65...: PVDF
- Seal: NKP-6401: NBR
NKP-6501: FPM
alternative: EPDM
- Counter nut: NKP-6...: polypropylene
- Max. temperature: NKP-14..., NKP-24..., NKP-64...: 80 °C
NKP-15..., NKP-25..., NKP-65...: 100 °C
- Max. pressure: 10 bar
- Installation position: horizontal
(±30° from the horizontal plane)
- Contact components: N/O contact / N/C contact
(depending on the installation)
- Electr. connection: stranded cable AWG20, 2-core, PVC,
1 m (PUR-cable and silicone cable upon request)
- Switch capacity: max. 230 V_{AC/DC}
max. 40 VA, max. 2 A
option cCSAus: 0.17 A, 230 V_{AC/DC},
2 A, 20 V_{AC/DC}; max. 40 W
- Contact resistance: max. 80 mΩ
- Min. electric strength: 400 V_{DC} / 1 s
- Medium density: NKP-14..., -24..., -64...: >0.6 kg/dm³
NKP-15..., -25..., -65...: >0.95 kg/dm³
- Protection: IP 68

