

**Operating Instructions
for
Floating Switch**

Model: NSED / NSEK



1. Contents

1. Contents.....	2
2. Note	3
3. Instrument Inspection.....	3
4. Regulation Use	3
5. Mechanical Connection.....	4
6. Electrical Connection	5
6.1 General.....	5
6.2 Connection Examples.....	5
7. Technical Information.....	6
8. Order Codes	6
9. Dimensions	6
10. Disposal	7
11. EU Declaration of Conformance	8

Manufactured and sold by:

Kobold Messring GmbH
Nordring 22-24
D-65719 Hofheim
Tel.: +49(0)6192-2990
Fax: +49(0)6192-23398
E-Mail: info.de@kobold.com
Internet: www.kobold.com

2. Note

Please read these operating instructions before unpacking and putting the unit into operation. Follow the instructions precisely as described herein.

The instruction manuals on our website www.kobold.com are always for currently manufactured version of our products. Due to technical changes, the instruction manuals available online may not always correspond to the product version you have purchased. If you need an instruction manual that corresponds to the purchased product version, you can request it from us free of charge by email (info.de@kobold.com) in PDF format, specifying the relevant invoice number and serial number. If you wish, the operating instructions can also be sent to you by post in paper form against an applicable postage fee.

Operating instructions, data sheet, approvals and further information via the QR code on the device or via www.kobold.com

The devices are only to be used, maintained and serviced by persons familiar with these operating instructions and in accordance with local regulations applying to Health & Safety and prevention of accidents.

When used in machines, the measuring unit should be used only when the machines fulfil the EC-machine guidelines.

3. Instrument Inspection

Instruments are inspected before shipping and sent out in perfect condition.

Should damage to a device be visible, we recommend a thorough inspection of the delivery packaging. In case of damage, please inform your parcel service / forwarding agent immediately, since they are responsible for damages during transit.

Scope of delivery:

The standard delivery includes:

- Floating Switch model: NSED / NSEK

4. Regulation Use

Any use of the Floating switch, model: NSEK, which exceeds the manufacturer's specifications, may invalidate its warranty. Therefore, any resulting damage is not the responsibility of the manufacturer. The user assumes all risk for such usage.

5. Mechanical Connection

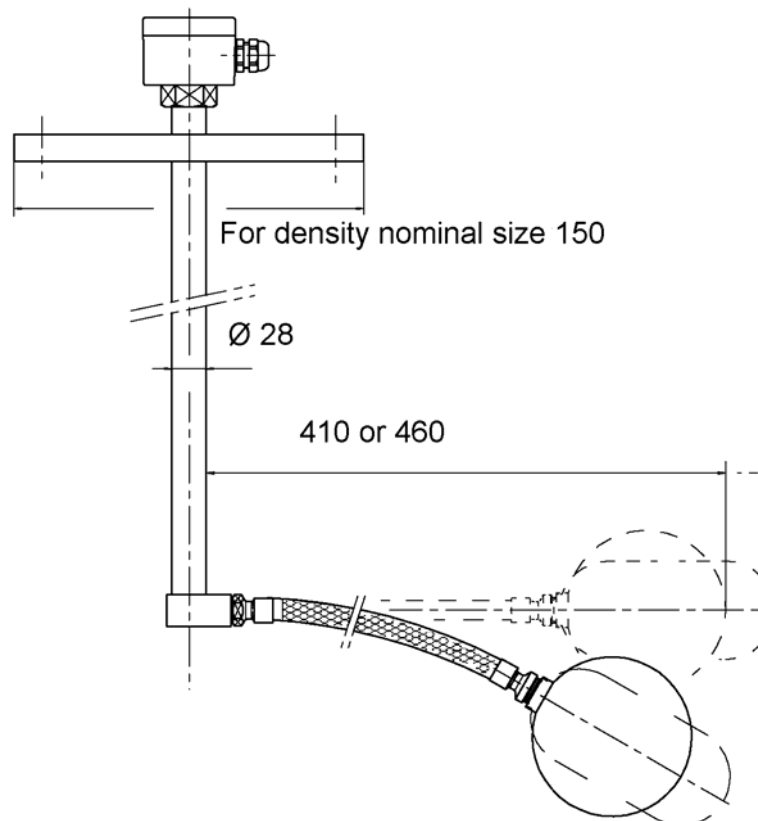
Before installation:

- Remove all transport packaging and ascertain that no packaging material is left in the instrument
- Please make sure that the allowable maximum operating pressure and operating temperature of the instruments will not be exceeded (see standard material combinations).

We recommend as a precaution for higher power loads, our contact protection relay MSR.

Mounting

- from inside: with R 1/2" connection
- from outside: with flange



6. Electrical Connection

6.1 General



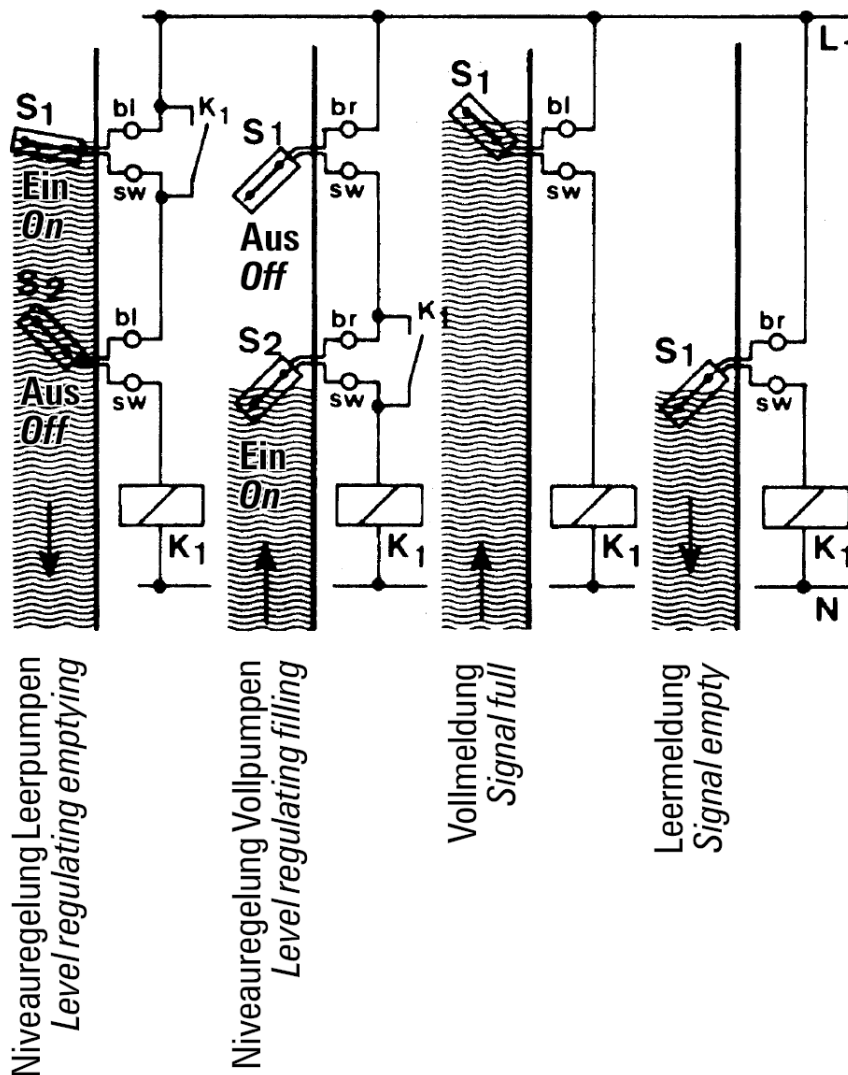
Warning! Make sure that the maximum voltage / power values of level switch will not be exceeded.

When raising:

black/ blue:
black/ brown

closing
opening

6.2 Connection Examples



7. Technical Information

Operating instructions, data sheet, approvals and further information via the QR code on the device or via www.kobold.com

8. Order Codes

Operating instructions, data sheet, approvals and further information via the QR code on the device or via www.kobold.com

9. Dimensions

Operating instructions, data sheet, approvals and further information via the QR code on the device or via www.kobold.com

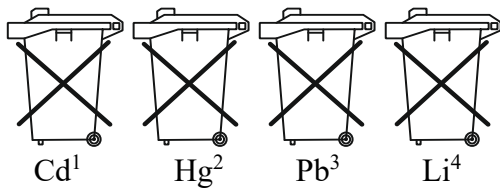
10. Disposal

Note!

- Avoid environmental damage caused by media-contaminated parts
- Dispose of the device and packaging in an environmentally friendly manner
- Comply with applicable national and international disposal regulations and environmental regulations.

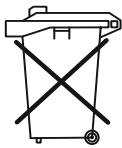
Batteries

Batteries containing pollutants are marked with a sign consisting of a crossed-out garbage can and the chemical symbol (Cd, Hg, Li or Pb) of the heavy metal that is decisive for the classification as containing pollutants:



1. „Cd" stands for cadmium
2. „Hg" stands for mercury
3. „Pb" stands for lead
4. „Li" stands for lithium

Electrical and electronic equipment



11. EU Declaration of Conformance

We, KOBOLD Messring GmbH, Nordring 22-24, 65719 Hofheim, Germany, declare under our sole responsibility that the product

Floating Switch Model: NSED / NSEK

to which this declaration relates is in conformity with the following EU directives stated below:

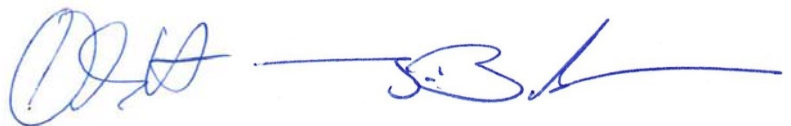
2014/30/EU	EMC Directive
2014/35/EU	Low Voltage Directive
2011/65/EU	RoHS (category 9)
2015/863/EU	Delegated Directive (RoHS III)

Also, the following standards are fulfilled:

EN 61010-1:2010 Safety requirements for electrical equipment for measurement, control and laboratory use - Part 1: General requirements

EN 61326-1:2013 Electrical equipment for measurement, control and laboratory use - EMC requirements - Part 1: General requirements

Hofheim, 19 Sept 2023



H. Volz
General Manager

J. Burke
Compliance Manager