



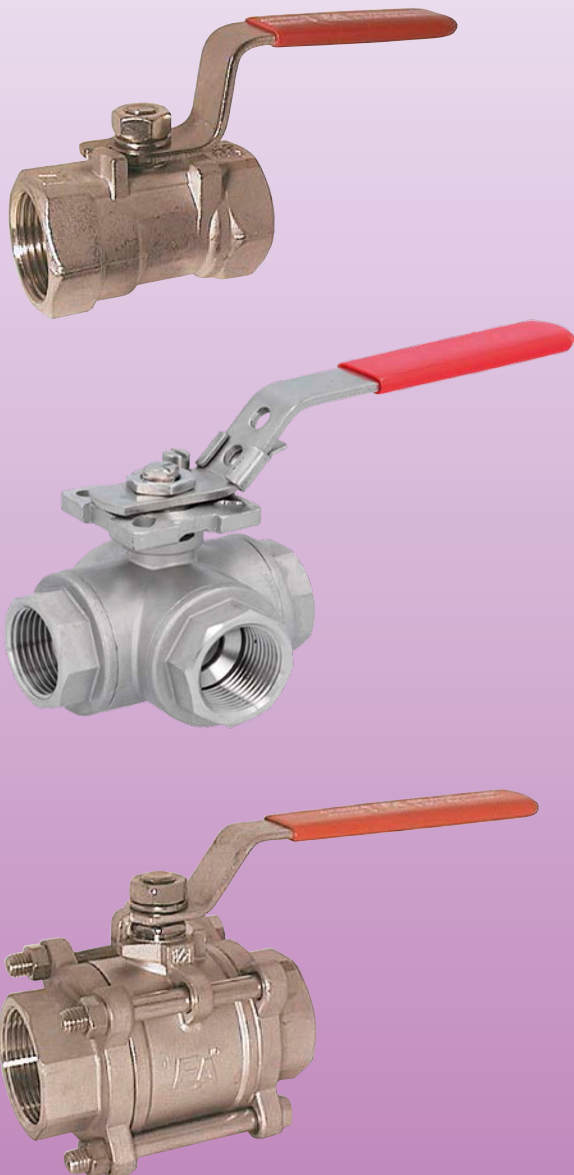
Stainless Steel Ball Valves

2- and 3-way ball valves with screw thread and weld ends



measuring
•
monitoring
•
analysing

KUG-ZE, -ZF, -ZG, -GD



- p_{\max} : PN64; t_{\max} : +180 °C
- Weld ends
DN 10 ... DN 50
1/4" ... 2"
- For steam, gaseous, liquid and viscous media
- 1-, 2- and 3-part versions
- T- and L-bore (for 3-way version)



Z1

KOBOLD companies worldwide:

AUSTRALIA, AUSTRIA, BELGIUM, BULGARIA, CANADA, CHINA, CZECHIA, FRANCE, GERMANY, GREAT BRITAIN, HUNGARY, INDIA, INDONESIA, ITALY, MALAYSIA, MEXICO, NETHERLANDS, PERU, POLAND, REPUBLIC OF KOREA, SPAIN, SWITZERLAND, THAILAND, TUNISIA, TURKEY, USA, VIETNAM

KOBOLD Messring GmbH
Nordring 22-24
D-65719 Hofheim/Ts.
Head Office:
+49(0)6192 299-0
+49(0)6192 23398
info.de@kobold.com
www.kobold.com



2-Way Stainless Steel Ball Valve, Manually Operated, Full-bore Model KUG-ZE

Design

Three-piece, threaded joint construction with full cylindrical bore. Stamping as per AD approval certificate A 4.

Materials

Body: stainless steel 1.4408
 Ball: stainless steel 1.4408
 Ball gasket: PTFE glass-fiber reinforced
 Spindle gasket: PTFE
 Handle: stainless steel 1.4301, plastic sheathed

Technical Details

Connections: female thread G 1/4 ... G 2, DIN 2999
 1/4 ... 2" NPT
 weld ends DN 10 ... DN 50
 (up to G 4 or DN 100 also available upon request)
 Temperature range: -30 °C ... +180 °C
 Face to face: threaded connection DIN 3202 M3
 welded connection DIN 3202 S13
 Nominal pressure: PN 64/PN 40 (G 1/4 ... G 2)
 Operation: 90° rotation of handle

Model with Threaded Connection



Weld Ends

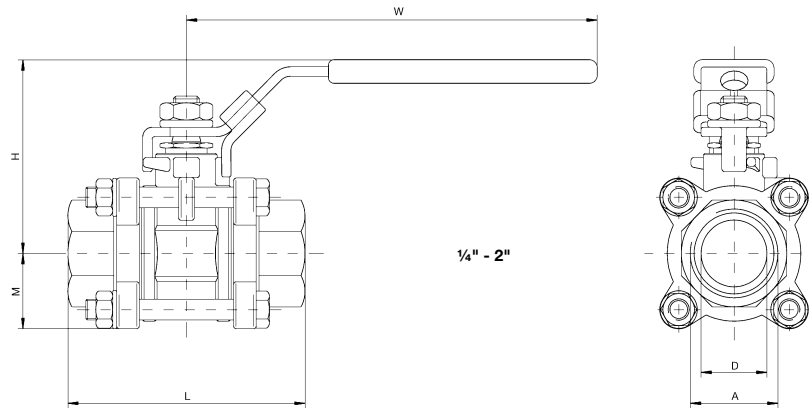


Order Details (example: KUG-ZER 08)

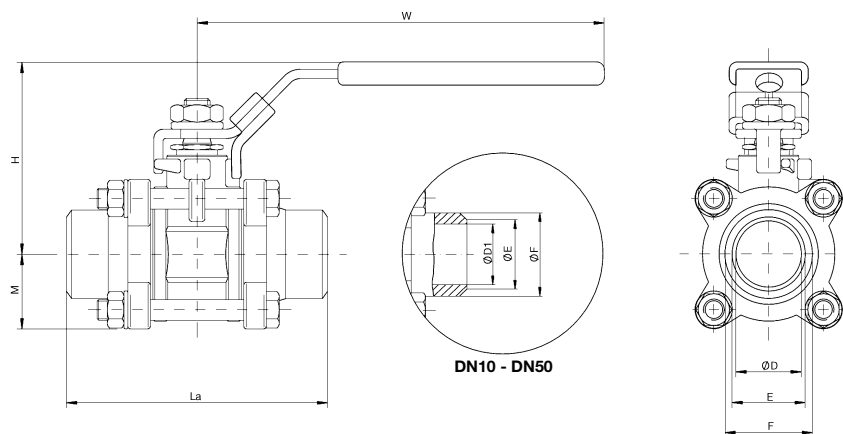
Connection female thread	Order no.	Connection female thread	Order no.	Connection weld ends	Order no.	PN [bar]
G 1/4	KUG-ZER 08*	1/4" NPT	KUG-ZEN 08*	-	-	64
G 3/8	KUG-ZER 10*	3/8" NPT	KUG-ZEN 10*	DN 10	KUG-ZEW 10*	64
G 1/2	KUG-ZER 15	1/2" NPT	KUG-ZEN 15	DN 15	KUG-ZEW 15*	64
G 3/4	KUG-ZER 20*	3/4" NPT	KUG-ZEN 20*	DN 20	KUG-ZEW 20*	64
G 1	KUG-ZER 25*	1" NPT	KUG-ZEN 25*	DN 25	KUG-ZEW 25*	64
G 1 1/4	KUG-ZER 32	1 1/4" NPT	KUG-ZEN 32*	DN 32	KUG-ZEW 32	40
G 1 1/2	KUG-ZER 40	1 1/2" NPT	KUG-ZEN 40*	DN 40	KUG-ZEW 40	40
G 2	KUG-ZER 50	2" NPT	KUG-ZEN 50*	DN 50	KUG-ZEW 50	40

* Minimum order quantity: 3 pieces per PO, mixed sizes possible

Model with Threaded Connection



Weld Ends



Dimensions with Screw Thread

Screw thread [G]	D [mm]	L [mm]	H [mm]	M [mm]	W [mm]	PN	Weight [kg]
¼	10	55	41.4	19	80	64	0.25
⅜	12.5	60	41.4	19	80	64	0.34
½	15	75	45	21	80	64	0.34
¾	20	80	54.7	25	100	64	0.59
1	24.5	90	65.3	29	125	64	0.92
1¼	32	110	70.9	33	125	40	1.31
1½	38	120	84	39	160	40	2.13
2	50	140	93.3	46	160	40	3.46

Dimensions with Weld Ends

DN [mm]	D [mm]	La [mm]	H [mm]	M [mm]	W [mm]	ØD1 [mm]	ØE [mm]	ØF [mm]	Weight [kg]
10	12.5	70	45	19	81.5	12.5	13	17.2	0.25
15	16	75	48.5	21	81.5	16	17	21.3	0.36
20	20	90	59	25	101.5	20	22	26.9	0.59
25	24.5	100	70	29	126.5	24.5	28	33.7	0.88
32	32	110	76	33	126.5	33.8	37	42.4	1.32
40	38	125	90	39	161.5	39.8	43	48.3	2.12
50	50	150	99	47	161.5	50.8	54	60.3	3.34



2-Way Stainless Steel Ball Valve, Manually Operated, Full-bore Model KUG-ZF

Design

Two-piece threaded-joint construction with full cylindrical bore.
Stamping as per AD approval certificate A 4.

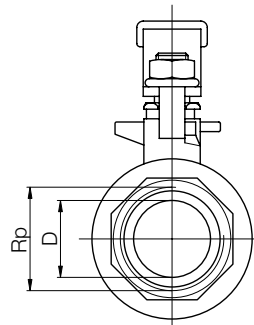
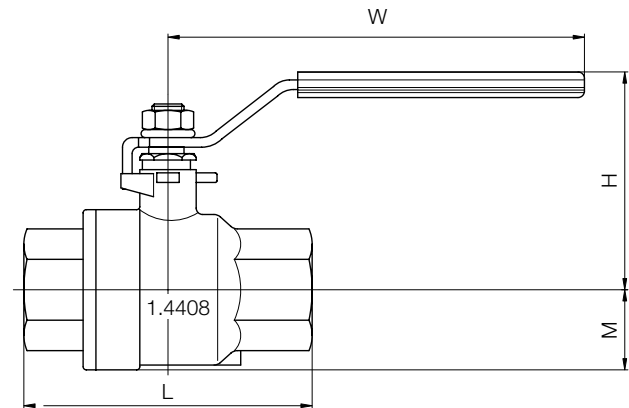
Materials

Body: stainless steel 1.4408
Ball: stainless steel 1.4401
Ball gasket: PTFE glass-fiber reinforced
Handle: stainless steel 1.4301, plastic sheathed

Technical Details

Connections: female thread Rp 1/4 ... Rp 2
(as per DIN 2999)
Temperature range: -30 °C ... +180 °C
Nominal pressure: PN 64/PN 40 (G 1 1/4 ... G 2)
Operation: 90° rotation of handle

KUG-ZF



Dimensions and Order Details (example: KUG-ZFR 08)

Scew thread [Rp]	Order no. female thread	D [mm]	L [mm]	H [mm]	M [mm]	W [mm]	Weight [kg]
1/4	KUG-ZFR 08*	11.6	50	52	14	102	0.27
3/8	KUG-ZFR 10*	12.7	60	54	14	102	0.22
1/2	KUG-ZFR 15*	15	75	62	17	123	0.32
3/4	KUG-ZFR 20*	20	80	66	21	123	0.50
1	KUG-ZFR 25*	25	90	77	25	123	0.74
1 1/4	KUG-ZFR 32	32	110	80	30	145	1.28
1 1/2	KUG-ZFR 40	38	120	91	36	168	1.95
2	KUG-ZFR 50	50	140	98	45	168	3.07

* Minimum order quantity: 3 pieces per PO, mixed sizes possible



Design

One-piece threaded joint construction with reduced cylindrical bore. Stamping as per AD approval certificate A 4.

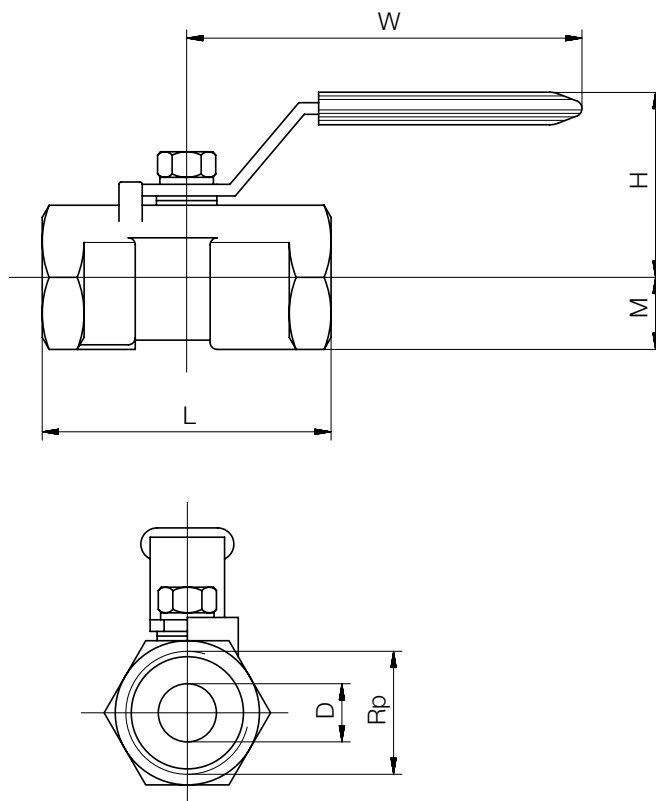
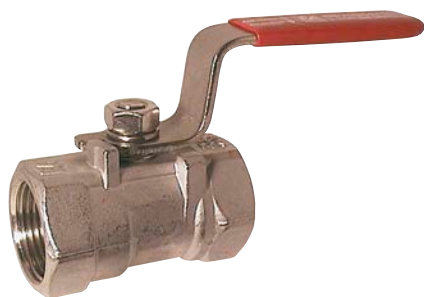
Materials

Body: stainless steel 1.4408
 Ball: stainless steel 1.4401
 Ball gasket: PTFE glass-fiber reinforced
 Handle: stainless steel 1.4301, plastic sheathed

Technical Details

Connections: female thread Rp 1/4 ... Rp 1 (as per DIN 2999)
 Temperature range: -30 °C ... +180 °C
 Nominal pressure: PN64 ... 80 °C
 Operation: 90° rotation of handle

KUG-ZG



Dimensions and Order Details (example: KUG-ZGR 08)

Scew thread [Rp]	Order no. female thread	Ø D [mm]	L [mm]	H [mm]	M [mm]	W [mm]	Weight [kg]
1/4	KUG-ZGR 08	5.0	38.7	25.6	8.6	65.9	0.06
3/8	KUG-ZGR 10	7.0	44.2	27.1	10.5	78	0.10
1/2	KUG-ZGR 15	9.0	55.6	34.4	12.5	95	0.165
3/4	KUG-ZGR 20	12.5	62.1	37.7	16.0	95	0.248
1	KUG-ZGR 25	15	68.9	44.6	19.0	112.8	0.405

Minimum order quantity: 3 pieces per PO, mixed sizes possible



3-Way Stainless Steel Ball Valve, Manually Operated, Reduced-bore Model KUG-GD

Design

4-piece design (screwed), reduced cylindric bore, L- or T-configuration, sealed on all ports, not overlap free. Mounting pad for actuator according to ISO 5211.

Anti static stem.

Materials

Body: stainless steel 1.4408
 Ball: stainless steel 1.4408
 Ball gasket: PTFE - glass fiber reinforced
 Spindle gasket: PTFE/FKM
 Handle: stainless steel, plastic sheathed, lockable

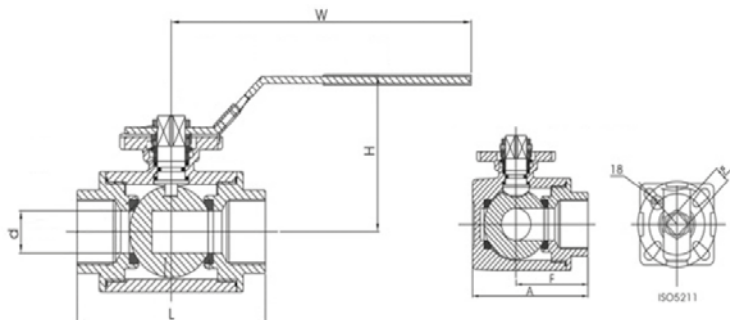
Technical Details

Connections: female thread G $\frac{1}{2}$... G2 (as per DIN 2999)
 Temperature range: -25 °C ... +180 °C
 Nominal pressure: PN63 (up to +80 °C). For higher temperatures please refer to the Pressure-Temperature-Diagram. Suitable for vacuum up to 100 mbar absolute
 Operation: 90° rotation of handle

Positions

	T-bore				L-bore		
	1	2	3	4	5	6	7
Handle or actuator mounting							
0° position							
90° position							

KUG-GD



Dimensions and Order Details (example: KUG-GDTR 15)

Scew thread [G]	Order no. T-bore	Order no. L-bore	d	L	H	W	F	A	J	ISO 5211	Nm	Kg	Kv [m³/h]
¼	KUG-GDTR 08	KUG-GDLR 08	9.5	75	66	130	37.5	57.5	9	F03/04	8	0.70	11
⅜	KUG-GDTR 10	KUG-GDLR 10	11	75	66	130	37.5	57.5	9	F03/04	8	0.67	11
½	KUG-GDTR 15	KUG-GDLR 15	12	75	66	130	37.5	57.5	9	F03/04	8	0.63	13
¾	KUG-GDTR 20	KUG-GDLR 20	15	85	72	161	42.5	65.5	11	F04/05	9	0.94	15
1	KUG-GDTR 25	KUG-GDLR 25	20	100	77	161	50	76	11	F04/05	15	1.39	31
1 ¼	KUG-GDTR 32	KUG-GDLR 32	25	122	92	203	61	97	14	F05/07	20	2.91	39
1 ½	KUG-GDTR 40	KUG-GDLR 40	32	131	96	203	65.5	106.5	14	F05/07	30	3.66	62
2	KUG-GDTR 50	KUG-GDLR 50	40	158	107	203	79	129	14	F05/07	45	6.31	103



Pressure-Temperature-Diagram

