

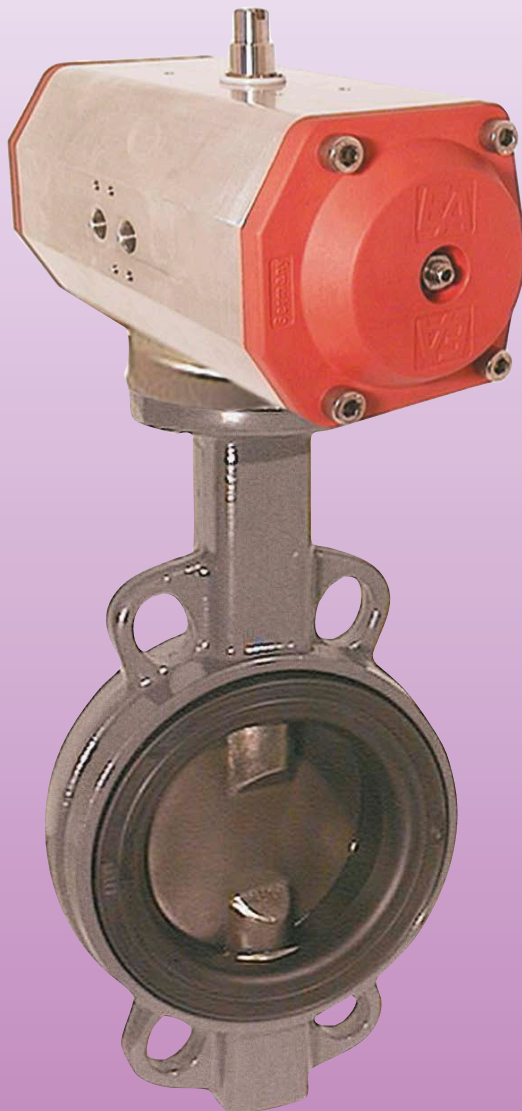


Butterfly Isolating Valves with Pneumatic Actuator



measuring
•
monitoring
•
analysing

KLP-TA



- p_{\max} : PN 16; t_{\max} : +160 °C
- Connections:
flanges DN 40 ... DN 300
- Pilot pressure: 6 ... 8 bar
- Double acting or
spring return
- Housing:
GGG-40, aluminium
- Butterfly disc:
stainless steel, steel
- Seals:
EPDM, FKM



KOBOLD companies worldwide:

AUSTRALIA, AUSTRIA, BELGIUM, BULGARIA, CANADA, CHINA, CZECHIA, EGYPT, FRANCE,
GERMANY, GREAT BRITAIN, HUNGARY, INDIA, INDONESIA, ITALY, MALAYSIA, MEXICO,
NETHERLANDS, PERU, POLAND, REPUBLIC OF KOREA, ROMANIA, RUSSIA, SPAIN,
SWITZERLAND, THAILAND, TUNISIA, TURKEY, USA, VIETNAM

KOBOLD Messring GmbH
Nordring 22-24
D-65719 Hofheim/Ts.
Head Office:
+49(0)6192 299-0
+49(0)6192 23398
info.de@kobold.com
www.kobold.com



Butterfly Isolating Valve with Pneumatic Actuator, Metal Housing Model KLP-TA

Design

One-piece construction, for mounting between two flanges.
 Operation: pneumatic, single or double acting
 Pilot pressure: 6 ... 8 bar
 Pilot media: filtered air
 Mounting position: any
 Options: 3/2-way or 5/2-way solenoid valve;
 electric /mechanic switches

Materials

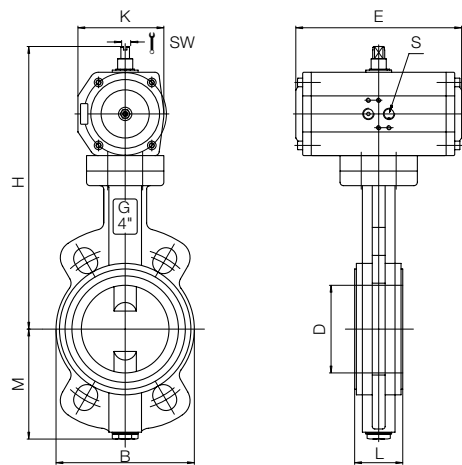
Housing: GGG-40, aluminium alloy
 Disc: 1.4408, St C22 (KLP-TAH only)
 Shaft seal: NBR
 Shaft: stainless steel 1.4016
 Bushing: bronze
 Sleeve: EPDM, FKM



Technical Data for valve

Connections: flanges DN 40 ... DN 300
 overall length acc. to DIN 3202K1
 Temperature range: EPDM: -35 °C ... +120 °C
 FKM: -20 °C ... +160 °C
 Nominal pressure
 between 2 flanges: max. 16 bar (GGG housing)
 max. 10 bar (aluminium housing)
 end valve: max. 6 bar

KLP-TA



Dimensions

1 = double acting actuator; 2 = single acting actuator; * = weight w/o springs

Flange [DN]	D [mm]	B [mm]	L [mm]	H ¹ [mm]	H ² [mm]	M [mm]	E ¹ [mm]	E ² [mm]	K ¹ [mm]	K ² [mm]	S ¹ [mm]	S ² [mm]	SW ¹ [mm]	SW ² [mm]	Weight ^{1*} [kg]	Weight ^{2*} [kg]
40	49	84	33	249	263	75	163	197	78	86	1/8	1/8	10	10	3.6	4.4
50	55	102	43	257	271	81	163	197	78	86	1/8	1/8	10	10	4.4	5.2
65	68	116	46	267	293	89	163	193	78	100	1/8	1/4	10	10	4.9	6.6
80	81	133	46	291	318	110	197	231	86	115	1/8	1/4	10	10	6.2	8.3
100	101	160	52	318	361	128	193	266	100	143	1/4	1/4	10	10	9.1	13.0
125	126	190	56	346	374	140	231	266	115	143	1/4	1/4	10	19	11.5	14.3
150	150	214	56	362	410	155	231	300	115	137	1/4	1/4	10	20	13.8	18.3
200	200	265	60	438	448	190	266	300	143	137	1/4	1/4	19	20	23.1	24.9
250	250	320	68	478	516	220	300	380	137	172	1/4	1/4	19	28	30.9	38.1
300	298	373	78	518	603	247	300	478	137	224	1/4	1/4	20	32	38.9	61.2

Order Details (example: KLP-TA 7 E F40 C A 0)

Order no.	Housing	Seal	Connection size	Operation	Solenoid valve	Limit switch
KLP-TA	7 = aluminium H = GGG-40	E = EPDM F = FKM	F40* = DN 40 F50 = DN 50 F65 = DN 65 F80 = DN 80 F1H = DN 100 F1Z = DN 125 F1F = DN 150 F2H = DN 200 F2F = DN 250 F3H = DN 300	C = single acting, default CLOSED O = single acting, default OPEN	A = without B = 3/2-way (24 V _{DC}) C = 3/2-way (230 V _{AC})	0 = without 2 = 2 limit switches
				D = double acting	F = 5/2-way (24 V _{DC}) G = 5/2-way (230 V _{AC})	

*not for aluminium housing