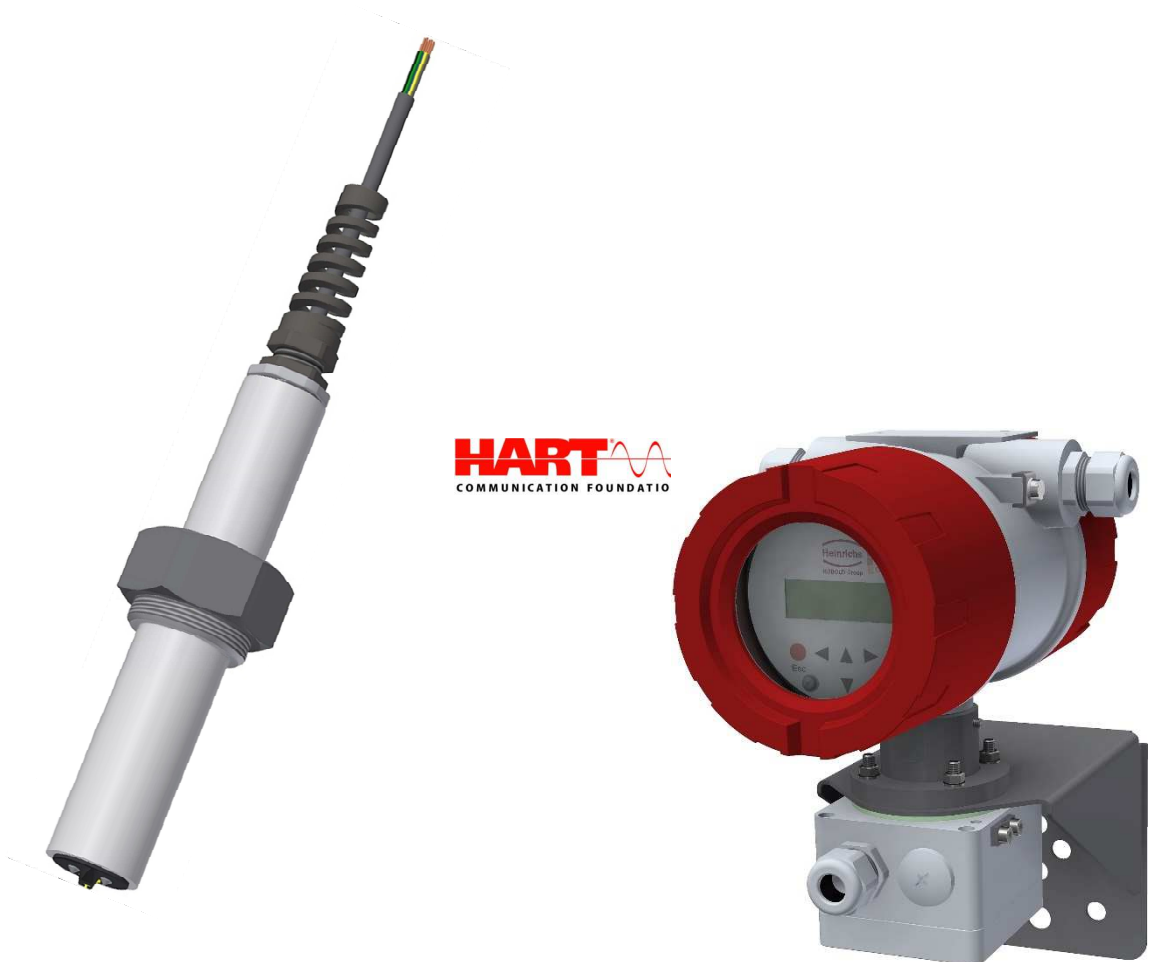


**Magnetic-Inductive Flow Velocity Sensor**

**PITe with  
UMF2 (B)**

---

**Installation and operating manual**



**Please read the instructions carefully and store them in a safe place**

---

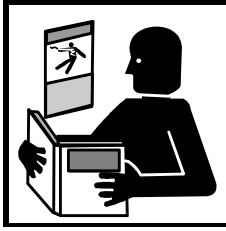
# Contents

<b>1</b>	<b>INTRODUCTION</b> .....	<b>4</b>
1.1	HAZARD WARNINGS.....	4
1.2	PACKAGING / STORAGE / TRANSPORT.....	4
1.3	WARRANTY.....	5
<b>2</b>	<b>IDENTIFICATION</b> .....	<b>5</b>
2.1	MANUFACTURER/SUPPLIER.....	5
2.2	PRODUCT.....	5
<b>3</b>	<b>USE IN HAZARDOUS AREAS</b> .....	<b>5</b>
<b>4</b>	<b>AREA OF APPLICATION</b> .....	<b>6</b>
<b>5</b>	<b>SAFETY ASPECTS DURING COMMISSIONING AND MAINTENANCE</b> .....	<b>6</b>
5.1	USE OF THIS MANUAL AND TARGETED PERSONNEL.....	6
5.2	INTENDED USE OF THE DEVICE.....	6
5.3	INSTALLATION COMMISSIONING AND MAINTENANCE.....	7
5.4	REPLACING THE TRANSMITTER ELECTRONICS.....	7
5.5	RETURNING THE DEVICE FOR REPAIRS OR SERVICING.....	7
<b>6</b>	<b>MODE OF OPERATION AND SYSTEM DESIGN</b> .....	<b>8</b>
6.1	MODE OF OPERATION.....	8
6.2	SYSTEM CONFIGURATION.....	8
6.3	INSTALLATION OF THE TRANSMITTER.....	8
6.3.1	Sensor versions.....	9
6.4	PERFORMANCE CHARACTERISTICS.....	9
<b>7</b>	<b>INSTALLATION / CONDITIONS OF USE</b> .....	<b>10</b>
7.1	INSTALLATION REQUIREMENTS.....	10
7.1.1	Examples of installation positions.....	10
7.1.2	Immersion depth of PItE-*** in the pipe.....	13
7.1.3	Earthing – potential equalisation.....	13
7.2	ENVIRONMENTAL CONDITIONS.....	14
7.2.1	Ambient temperature ranges.....	14
7.2.2	Storage temperature.....	14
7.2.3	Climatic category.....	14
7.2.4	Ingress Protection.....	14
7.2.5	Shock resistance/vibration resistance.....	14
7.2.6	Medium temperature and pressure.....	14
<b>8</b>	<b>COMMISSIONING</b> .....	<b>14</b>
8.1	INSTALLATION OF MAGNETIC-INDUCTIVE FLOWMETERS.....	14
8.2	POTENTIALS.....	14
8.3	CATHODE PROTECTIVE UNITS.....	15
8.4	ZERO POINT CALIBRATION.....	15
<b>9</b>	<b>STARTUP CONDITIONS</b> .....	<b>15</b>
<b>10</b>	<b>POWER SUPPLY / ELECTRICAL CONNECTION</b> .....	<b>17</b>
10.1	ELECTRICAL CONNECTION.....	17
10.2	CABLE SPECIFICATION.....	17
<b>11</b>	<b>DIMENSIONS/WEIGHT</b> .....	<b>18</b>
11.1	DIMENSIONAL DRAWINGS.....	18
<b>12</b>	<b>DECLARATION OF DECONTAMINATION</b> .....	<b>19</b>

13 DECLARATION OF CONFORMITY ..... 20

14 FINAL NOTES ..... 22

# 1 Introduction



It is essential that you read these installation and operating instructions, as well as the associated UMF2 (B) transmitter operating instructions, prior to installation and commissioning of the device. If the necessary operating manuals are not at hand, you can download them free of charge from [www.heinrichs.eu](http://www.heinrichs.eu). The device is to be installed and serviced only by a qualified technician.

Custom designs and special applications are not be addressed in this manual.

All devices are thoroughly tested and checked for order compliance and functionality prior to shipping. If however you have any queries or problems concerning your purchased product, please contact our head office in Cologne.

**Heinrichs Messtechnik GmbH accepts no liability for any loss or damage of any kind arising from improper operation of any product, improper handling or use of any replacement part, or from external electrical or mechanical effects, overvoltage or lightning. Any such improper operation, use or handling shall automatically invalidate the warranty for the product concerned.**

## 1.1 Hazard warnings

The purpose of the hazard warnings listed below is to ensure the safety of the device operators and maintenance personnel, and that the flowmeter and any devices connected to it are not damaged.

The safety advisories and hazard warnings in this document are defined in the four categorised terms below, and are aimed to prevent putting operators and maintenance personnel at risk, or to avoid material damage. The used terms have, with respect to this document and the products described within, the following meanings:

### **Danger**

means that failure to take the prescribed precautions **will result** in death, severe bodily injury, or substantial material damage.

### **Warning**

means that failure to take the prescribed precautions **could result** in death, severe bodily injury, or substantial material damage.

### **Caution**

means that failure to take the prescribed precautions **could result** in incorrect operation, malfunction or damage to the device.

### **Note**

means that the accompanying text contains important information about the product, handling of the product or is about a section of the documentation that is of particular importance.

## 1.2 Packaging / storage / transport

Your flowmeter was manufactured in accordance with the highest quality standards and was thoroughly tested prior to shipment. Upon receipt, please conduct a visual inspection for possible damage that may have occurred during shipment. If you discover any transit damage, please contact our head office in Cologne or the local sales office responsible for your area immediately. Besides a fault description, the type of device in question and its serial number will be required for any claim.

Heinrichs Messtechnik shall not furnish guarantee for any repair work done without prior notice. Unless otherwise agreed on, the rejected parts must be made available to us in case a claim is made.

### 1.3 Warranty

Your flowmeter was manufactured in accordance with the highest quality standards and was thoroughly tested prior to shipment. However, in the event any problem arises with your device, we will be happy to resolve the problem for you as quickly as possible under the terms of the warranty which can be found in the terms and conditions of delivery. Your warranty will only be honoured if the device was installed and operated in accordance with the instructions for your device. Any mounting, commissioning and/or maintenance work is to be carried out by qualified and authorised technicians only.

Heinrichs Messtechnik GmbH extends no express or implied warranty in regard to the applicability of the present document for any purpose other than that described.

## 2 Identification

### 2.1 Manufacturer/supplier

Heinrichs Messtechnik GmbH

Robert-Perthel-Str. 9 · D-50739 Cologne

Phone: +49 (221) 49708 – 0, Fax: +49 (221) 49708 - 178

Internet: <http://www.heinrichs.eu>, e-mail: <mailto:info@heinrichs.eu>

### 2.2 Product

**Product type:**

Magnetic – inductive flow sensor based upon Faraday's law of induction

**Application:**

Bi-directional measurement of fluids with a minimum conductivity of 50µS / cm

**Product name:**

PITE-xxx

**File version No.:**

DRAFT-PITE\_BA\_02\_EN\_25-01-2017

**Issue date:**

17.02.2017

**Converting Transmitters:**

UMF2 (B)

## 3 Use in hazardous areas

The flow meter PITE-xxx is not intended for use in hazardous areas.

## 4 Area of application

The magnetic-inductive flow velocity sensor PITE is used to measure or monitor the volume flow of liquids with and without solids concentration, slurries, pastes and other electrically conductive media while minimizing pressure drops. The conductivity of the medium must be at least 50  $\mu\text{S}/\text{cm}$ . Pressure, temperature, density and viscosity do not affect the volume measurements. Small quantities of solid particles and small gas bubbles are also measured as part of the volume flow. A larger number of solid particles or gas bubbles will lead to incorrect measurements. Special electrodes are available for media that tend to form greasy films or crusts.

To perform flow measurements, the PITE sensor must be operated with a Heinrichs Messtechnik transmitter of the UMF-x series, for example the UMF2 (B). The transmitter UMF2 (B) is a programmable transmitter that processes the measurement data received from the sensor displaying the results on its built-in control panel. Furthermore, it is capable of transmitting various types of measurement results via a communication interface.

## 5 Safety aspects during commissioning and maintenance

### 5.1 Use of this manual and targeted personnel

This document contains all the necessary information to ensure a correct operation of the herein described product. The document is intended for use by qualified personnel. This means personnel who possess the necessary knowledge needed to ensure a safe operation of the device, such as electronics engineers, electrical engineers, or service technicians who are conversant with the safety regulations pertaining to the use of electrical and automated technical devices.

Such personnel must be authorized by the facility operator to install, commission and service the product described herein. Before any work is carried out on the device, these operating instructions must first be thoroughly read and understood.

**The principle rules and regulations in the country of the operator must be observed.**

### 5.2 Intended use of the device



#### Warning

The operator is responsible for ensuring that the material used in the sensor and housing is suitable for the application, and that such material meets the requirements for the fluid being used and the ambient site conditions. The manufacturer accepts no responsibility when inadequate material and housing are ordered.



#### Warning

To ensure a correct and safe operation of the device, it must be shipped, stored, set up, mounted, operated and maintained correctly.

### 5.3 Installation commissioning and maintenance

The devices described in this manual are to be installed and serviced only by qualified technical personnel such as a qualified Heinrichs Messtechnik electronics engineer or service technician.

**Warning**

Before servicing, the device must be completely deenergised and disconnected from all peripheral devices. The technician must also check to ensure that the device is completely off-circuit. Only original replacement parts are to be used.

### 5.4 Replacing the transmitter electronics

Before replacing the transmitter electronics, read first the safety instructions in this section.

**Warning**

Make sure that you abide by the applicable standards and regulations pertaining to electrical devices, device installation and process technology when replacing the transmitter electronics. The highly integrated electronic components in the device carry the risk of ESD hazards and are only protected when installed in the device pursuant to EMC standards.

**Caution**

The complete electronic stack is to be replaced with all of its printed circuit boards (except for the memory chip (DSM)). The specified precision and interchangeability of the electronics are only guaranteed if the electronic stack is replaced as a whole.

Heinrichs Messtechnik GmbH accepts no liability for loss or damage of any kind arising from improper operation of any product, improper handling or use of any replacement part, or from external electrical or mechanical effects, overvoltage or lightning. Any such improper operation, use or handling shall automatically invalidate the warranty for the product concerned.

In the event a problem arises with your device, please contact us at one of the following numbers to arrange to have your device repaired:

Phone: +49 221 49708-0

Fax: +49 221 49708-178

Contact our customer service department if your device requires repair or if you need assistance in diagnosing a problem.

### 5.5 Returning the device for repairs or servicing

**Note:** According to German waste disposal legislation, it is the owner's or customer's responsibility to dispose of hazardous waste. Thus, before any devices are returned to Heinrichs Messtechnik for servicing or repairs the following measures must be performed:

- When returning the unit for an inspection, please enclose as detailed a description as possible of the fault and the specific application, as well as the chemical-physical properties of the measurement medium.
- Remove all residue of measurement medium which may be present. paying special attention to the gasket grooves and crevices. This is especially important if the medium is detrimental to health and safety, for example: corrosive, poisonous, carcinogenic or radioactive etc.
- Costs, which result from insufficient cleaning, (disposal and/or personal injuries) will be invoiced to the customer.

A decontamination certificate, to be found in section 12 "Declaration of Decontamination", must be completed and enclosed in the return delivery!

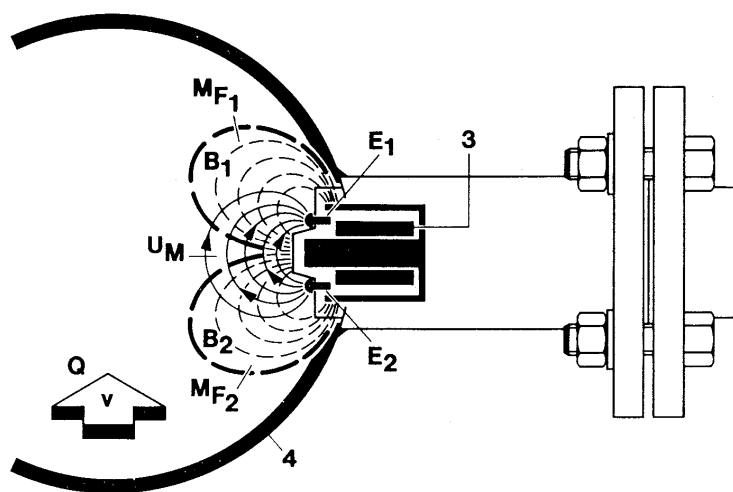
## 6 Mode of Operation and System Design

### 6.1 Mode of operation

Back in 1832, Faraday suggested utilizing the principle of electromagnetic induction for measuring flow velocities. Though unsuccessful due to superimposed polarization effects, his experiments on the river Thames are nonetheless regarded as the first in the field of magnetic-inductive flow measurement.

According to Faraday's law of electromagnetic induction, an electrical field  $E$  is produced in a conductive liquid when moving through a magnetic field  $B$  at a velocity  $v$  in accordance with the vector product  $E = [v \times B]$ .

A liquid at flow velocity  $v$  and a flow rate  $Q$  flows through a meter tube (4) producing a measuring-circuit voltage  $U_m$  at the two electrodes (E1 and E2), which are positioned at right angles to the direction of flow and the magnetic field  $B$  generated by the field coils (3). The size of the measured voltage is proportional to the mean flow velocity and thus the volume flow rate.



### 6.2 System configuration

The magnetic-inductive PITE-UMF2 (B) flow measurement system consists of a sensor (PITE), which picks up an induced measuring signal from the medium flowing through the pipe with a known diameter, and the transmitter UMF2 (B), which transforms this signal into standardized output signals (4-20 mA or pulses).

The PITE-\*\*\* sensor can be operated with all transmitters for magnetic-inductive flow meters manufactured by Heinrichs Messtechnik. The sensor is installed in the pipe while the transmitter is mounted separately in the field for better access.

### 6.3 Installation of the transmitter

The sensor is equipped with a breakout cable and must be connected to the transmitter via a junction box fitted during installation. The electrode cable is shielded and protected against disturbing interferences.

The required cable length for the connection to the transmitter must be determined during ordering. The end of the delivered break-out cable is prepared for an optimal and easy direct connection to the transmitters junction box. A subsequent shortening or lengthening of the cable could cause EMC and/or measurement issues if not correctly implemented, for which Heinrichs Messtechnik GmbH shall take no responsibility.



### 6.3.1 Sensor versions

PITe Wetted parts stainless steel / Hastelloy / PTFE,  
Sensor neck connection: union nut (threaded version) or flange stainless steel

Threaded version



Flanged version (Option)



Weld-on adaptor Ø40mm with  
M52x2 sensor locking with rotation lock

Weld-on adaptor Ø40mm with  
DN25 PN40 Form B1 DIN/EN1092  
1" JIS 16K  
1" class 150/300RF ASME B16.5

## 6.4 Performance Characteristics

### Measurement accuracy:

$Q \geq 30\% \text{ FS}$ :  $\pm 1.5\%$  of actual range

$Q \leq 30\% \text{ FS}$ :  $\pm 1.5\%$  of actual range  $\pm 2.5\%$  of FS

### Medium Conductivity:

$\geq 50 \mu\text{S/cm}$

### Influence of the ambient temperature on the outputs:

Pulse output  $\pm 0, 05\%$  pro 10K

Current output  $\pm 0, 1\%$  pro 10K

### Influence of medium temperature:

None

### Influence of ambient temperature

See Operating Instructions of the UMF2 (B) transmitter

## 7 Installation / Conditions of use

### 7.1 Installation requirements

Screws, bolts, nuts and seals are not supplied by Heinrichs Messtechnik GmbH and must therefore be provided by the operator. So not to damage any part of the sensor during installation, only use tools specifically designed for intended purpose.

#### 7.1.1 Examples of installation positions

To ensure the indicated accuracy, the installation must be performed according to EN 29104 "Measurement of Fluid Flow in Closed Conduits – Methods of Evaluating the Performance of Magnetic-Inductive Flow meters." Based on this standard, the minimum straight run of pipe ahead of the inlet must be be 10 pipe diameters ( $\geq 10 \times \text{DN}$ ) and 5 pipe diameters following the outlet ( $\geq 5 \times \text{DN}$ ) [DN = nominal diameter of pipe].

The limits for the product and ambient temperature must be met at the mounting location. Corrosive atmospheres must be avoided.

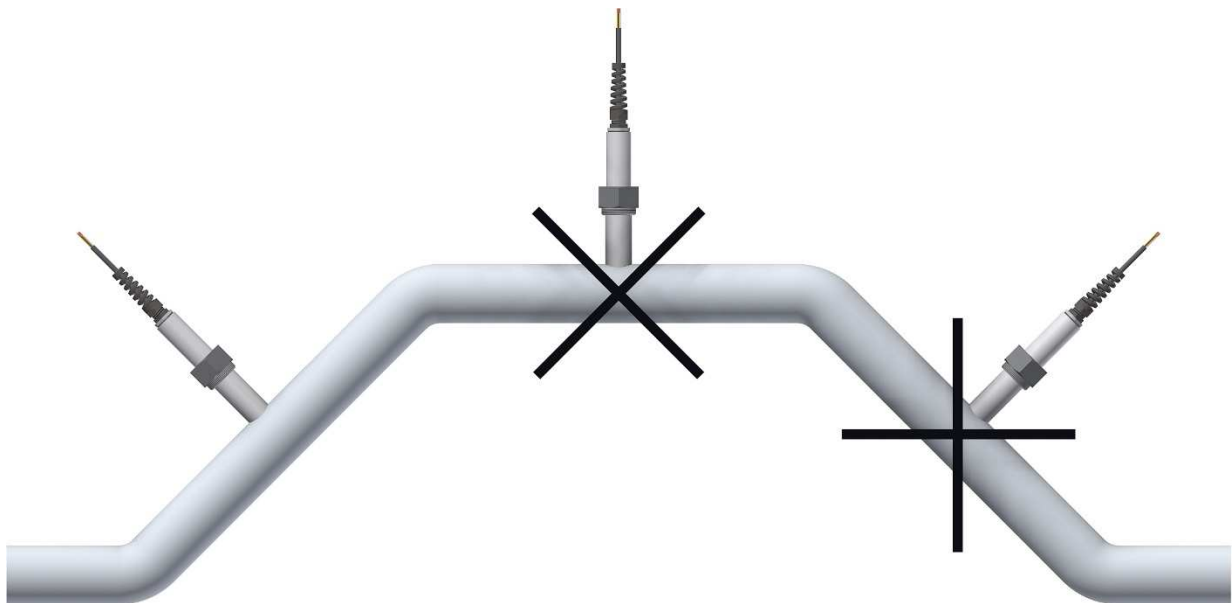


**Before installing the device in the pipeline, Please consider the space requirements needed for a potential deinstallation of the device.**

#### Horizontal pipeline routing

Where possible install the sensor in slightly ascending pipes. This practice will minimise the possibilities of air pockets or drainage of the installation pipe.

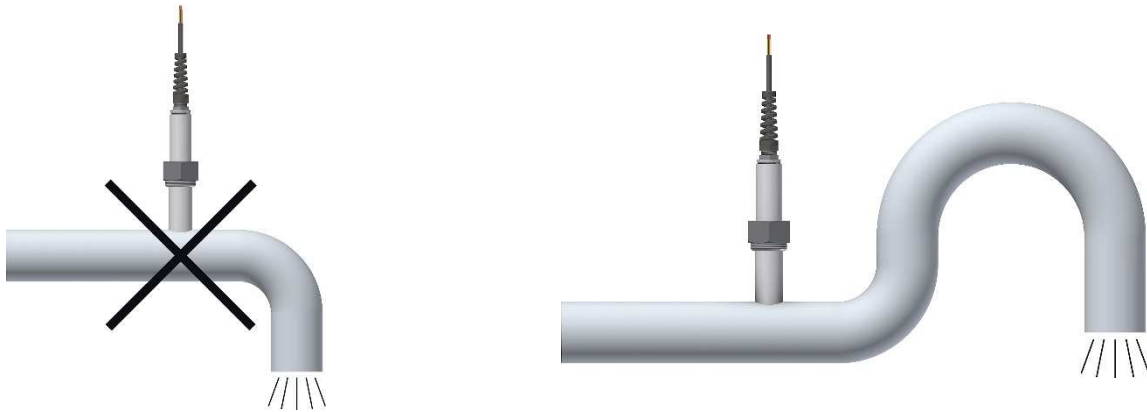
In the top section of the pipe, air pockets may accumulate around the sensor head causing large fluctuations in the measurement. In declining sections of the pipeline, pipes may drain, also generating errors in the measurement.



### Open inlet or outlet

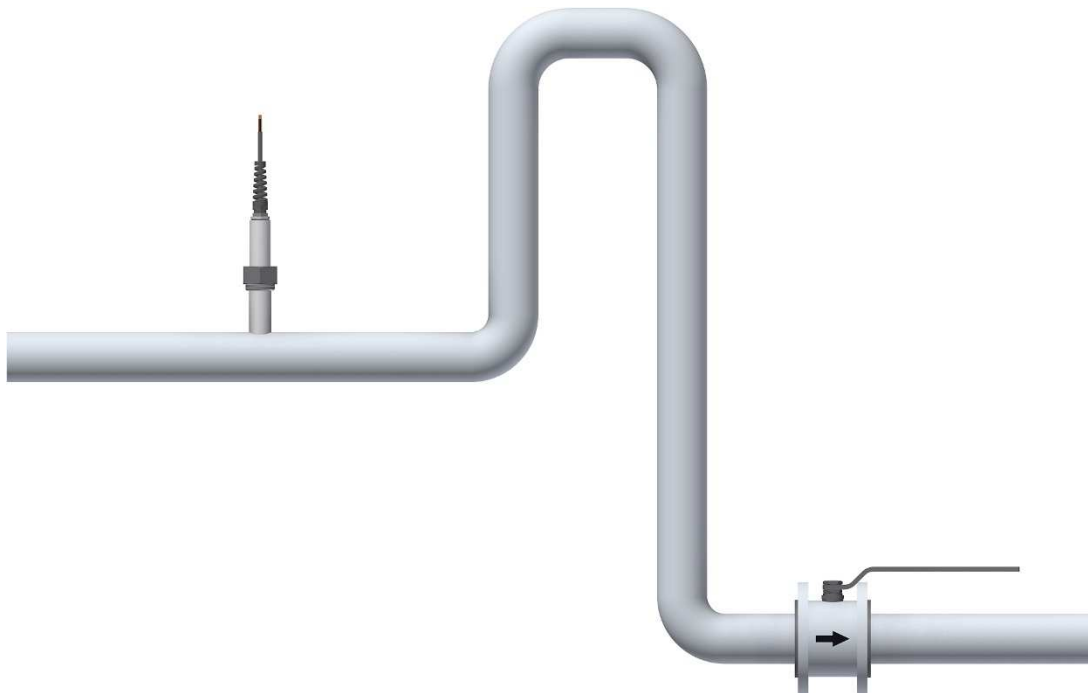
When installed at an inlet or an outlet, the device should be installed, where possible, in a siphon. This will ensure that the pipe section fitted with the sensor cannot autonomously drain. The empty pipe detection circuit of the transmitter is an additional safety feature for recognizing empty or partially filled pipes.

**Caution!** There is the danger of accumulation of solids in the vicinity of a siphon. The installation of a cleaning aperture in the pipe is therefore advisable.



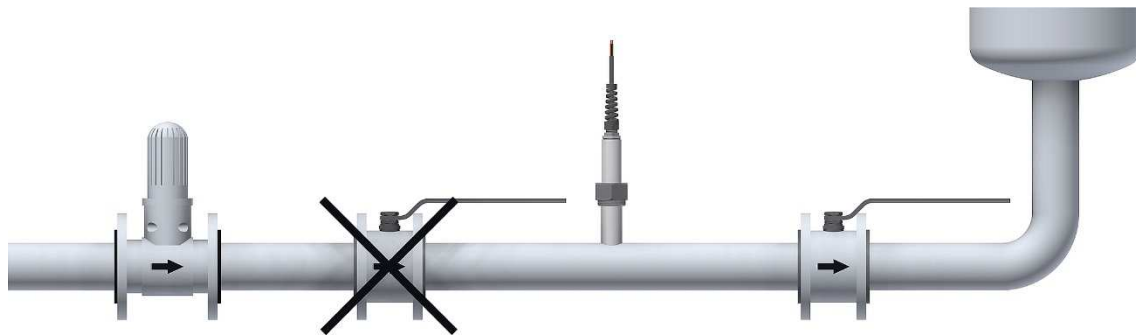
### Down pipes

When down pipes are present in the pipe system, a siphon or a ventilation valve should be positioned after the sensor. By these means, negative pressure can be avoided in the pipeline, preventing a breakdown of the flow thus reducing the risk of air inclusions in the measurement medium.



### Long pipelines

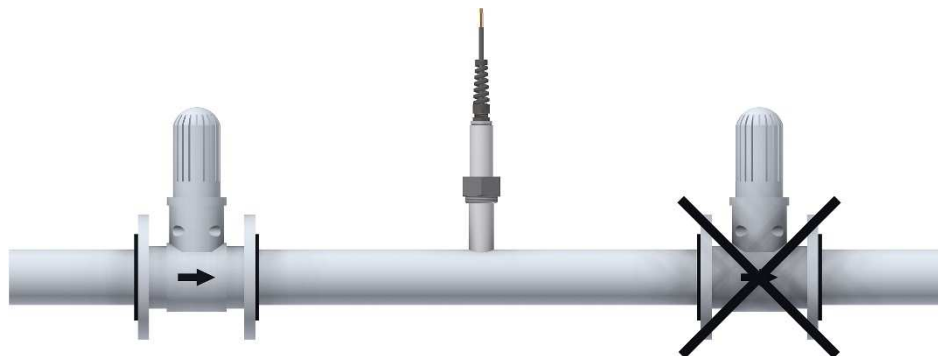
In long pipelines, there is always a danger of pressure surges. Therefore, disturbing elements such as regulating and shut-off devices should be arranged downstream from the sensor. However, when installed in vertical piping, especially when operating at high temperatures, the regulating and shut-off devices should be placed in front of the sensor (danger of vacuum).



If this is impracticable, flow conditioners must be installed so that no vortices can reach the pipe section of the sensor. The mounting location in the pipe system should be selected so that the installation pipe with the sensor is continually filled with the medium. This requirement can be met by using drains and check valves.

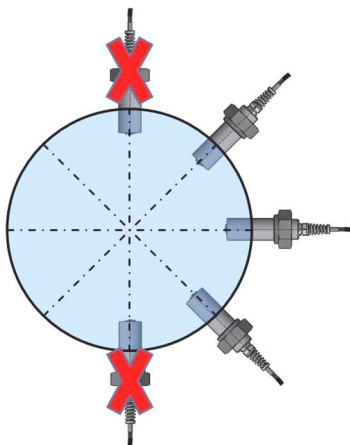
### Installation of pumps

To avoid negative pressure and eventual damage to the sensor head, never install PITe flowmeters on the suction side of pumps.



If necessary, arrange for pulsation dampeners when using piston, diaphragm or hose pumps.

### Preferred mounting position



To avoid possible sources of error, the mounting position of the sensor should be carefully chosen.

The ideal angle of installation should lie between 45° and 135°.

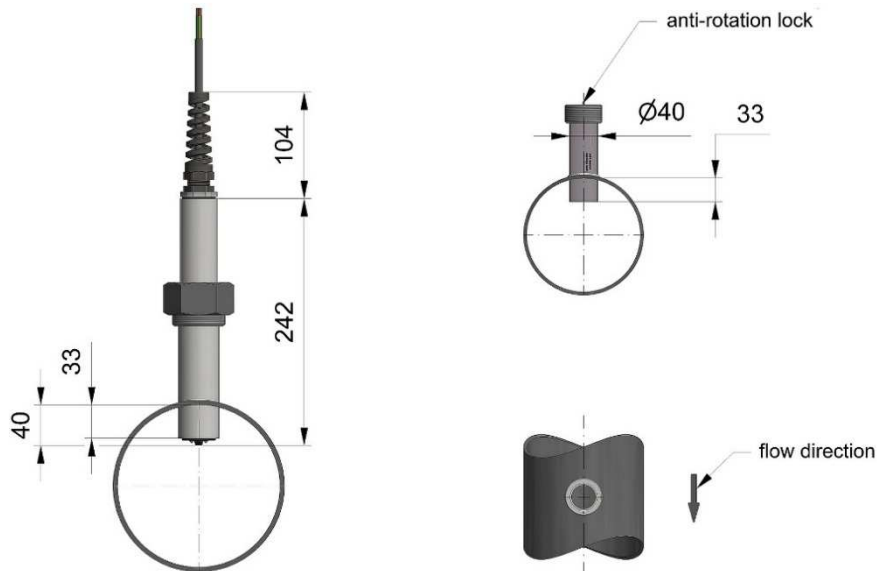
When installed at the top of the pipe (0 °C), gas bubbles may gather around the sensor head causing large fluctuations in the measurement signals, whereas sensors installed at the bottom of a pipe (180 °C) may be affected by sediment deposited in the pipe.

### 7.1.2 Immersion depth of PITE-\*\*\* in the pipe

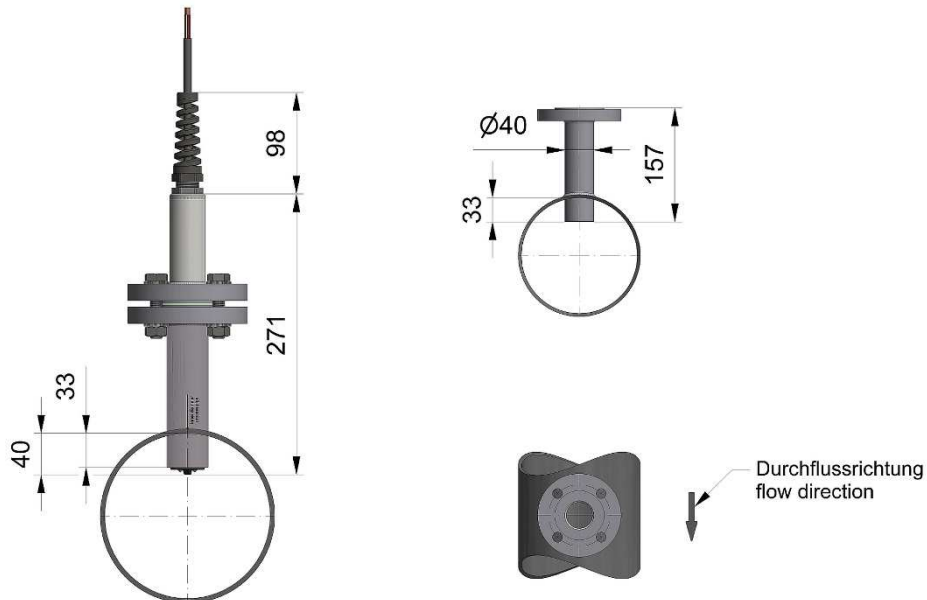
The weld spigots must be installed so that the sensor head projects 40 mm into the pipeline, regardless of the pipes nominal diameter.

**Caution:** Before welding the socket to the pipe, it is essential that the sensor be removed from the welding socket!

#### Installing the threaded version



#### Installing the flanged version



### 7.1.3 Earthing – potential equalisation

The sound grounding concept of the flowmeter is a necessity for both safety reasons as well as to ensure a faultless operation. In accordance with VDE 0100 Part 410 and VDE 0100 Part 540 the grounding connections must be at protective conductor potential. **For metrological reasons, this potential must be identical to the potential of the fluid.** The grounding cable should not transmit any interference voltage. For this reason do not simultaneously ground other electrical devices with this cable.

The measuring signal tapped at the electrodes amounts to only a few millivolts. Correct grounding of the electromagnetic flow sensor is therefore essential for achieving exact measurement. The transmitter requires a reference potential to evaluate the measured voltage on the electrodes. The metrological grounding of the medium for PITE is achieved via the wetted part of the sensor tube.

## 7.2 Environmental conditions

### 7.2.1 Ambient temperature ranges

-20°C to +60°C, below 0°C the readability of the LCD becomes limited

### 7.2.2 Storage temperature

-20°C to +60°C

### 7.2.3 Climatic category

In accordance with IEC 654-1 Non weather-protected Class D locations exposed directly to open-air climate

### 7.2.4 Ingress Protection

PITE sensor: IP65 (EN60529)



**Caution:**

Ingress protection IP65 can only be achieved if suitable and tightly secured cable glands or conduits are used. If the cable glands are only tightened handtight, water may leak or seep into the terminal compartment of the housing.



**Danger:**

Action must be taken if the window of the transmitter enclosure becomes fogged over or discolored. This is a sure sign that moisture, water or product medium has seeped into the terminal compartment of the housing, for example, through the cable sheath!



**Warning:**

Electromagnetic compatibility is only guaranteed if the electronic housing is sealed. Leaving the enclosure open can lead to electromagnetic disturbances.

### 7.2.5 Shock resistance/vibration resistance

The meter should be protected against extreme shocks and vibrations larger than 1G, which may cause damage to the sensor or transmitter.

### 7.2.6 Medium temperature and pressure

-20°C to +100°C, 16 bar up to 90°C, 14 bar up to 100°C

## 8 Commissioning

### 8.1 Installation of magnetic-inductive flowmeters

During the installation of the magnetic-inductive flow sensor the instructions and notes of the assembly instructions and operating manuals have to be followed. The regulations guidelines of grounding, potential equalization and company-internal grounding practices are also to be observed.

### 8.2 Potentials

The outputs of the UMF2 (B) transmitter are all electrically isolated from the auxiliary power, the sensor circuit and from each other. The housing and the interference suppression filters of the power supply are connected to PE.

The electrodes and measuring electronic are referenced to the potential of the functional earth FE of the sensor. FE is not connected to PE, but may be connected in the sensor junction box if wished. If ground disks (earthing rings) are used for grounding purposes, then these must be connected to the functional earth FE.

Since the sensor and transmitter are mounted separately, the outer shield of the connecting cable must be connected to the transmitter housing via the cable gland and has PE potential. The inner shields of the electrode and exciter wires are connected to FE inside the junction box of the sensor and so with to the ground (Gnd) of the transmitters electronic.

### 8.3 Cathode protective units

When using a cathode protective unit to avoid corrosion, thus putting a voltage to the tube wall, the unit must be connected to terminal FE. The transmitter electronic, control panel and internal switches are also all referenced to the FE potential.



#### Warning

According to EN 50178:1997 all electrical circuits with "protective safety isolation" which do not possess contact protection must observe the following maximum voltages:

Maximum AC voltage (effective value) 25 VRMS

Maximum DC voltage 60 V

It is strictly forbidden to connect FE to a higher voltage!

### 8.4 Zero point calibration

To ensure precise measurements are obtained, zero point calibration is essential the first time the device is put into operation and before any regular operations is carried out. To perform a zero point calibration, the sensor head must be inserted approx. 40mm into the medium to be measured (see section 7.1.2 "Immersion depth of PITE-\*\*\* in the pipe" on page 13

The zero calibration procedure is as follows:

- Install the sensor as described in the manufacturer's instructions.
- Ensure that the sensor head is completely covered with fluid and that there are no gas bubbles in the pipe around the sensor head.
- Define the process conditions such as pressure, temperature and density.
- Close a potential shut-off device behind the sensor.
- Turn on the transmitter and ensure that sufficient time is allowed for the electronics to warm up (20 minutes as a general rule).
- Initiate the Zero point calibration sequence over the transmitter in accordance with the appropriate transmitter-operating manual.

Allowing fluid to flow through the sensor during the zero calibration procedure will skew the zero point and result in false future readings.

## 9 Startup conditions

The device is not subject to specific startup conditions. However, pressure surges should be avoided. To ensure the transmitter correctly calculates the measured volume flow velocity, it is essential to ensure that during commissioning of the PITE series of sensors, the installation requirements, regarding position and mounting depth, are correctly adhered to.



If the calibration of the sensor / UMF2 (B) transmitter combination has not been performed by the manufacturer, the necessary settings must be implemented in the transmitter before the sensor can operate correctly. This applies in particular to cases where the sensor has been exchanged, or when the pipe cross-section at the installation site is altered.



## 10 Power supply / electrical connection

See name plate or Operating Instructions of the UMF2 (B) transmitter.

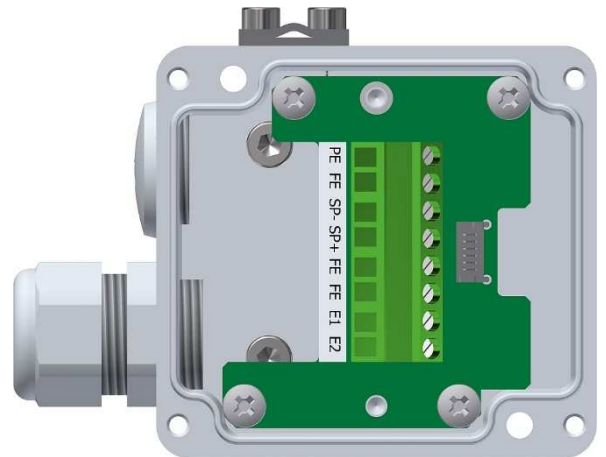
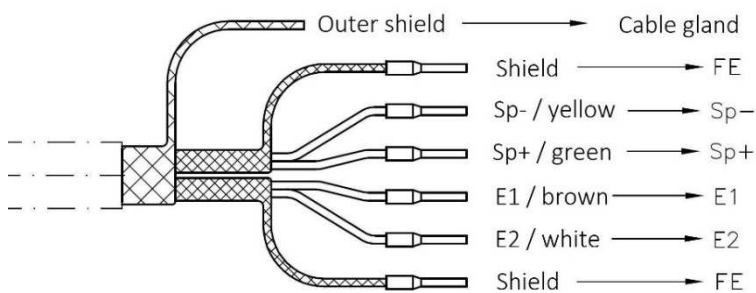
### 10.1 Electrical connection

The outer shield must be connected to the "PE" Terminal. The inner shields are each to be connected to their respective "FE" terminal.



**Caution:** When placing the blank shield wires into the respective terminals, take care not to cause short circuits.

#### Connecting the sensor cable to the terminal box of the UMF2 (B) transmitter



#### Connecting the cable shield in the cable gland

To abide to EMC requirements, the outer shield of the cable must be unbraided, folded back over the plastic insert and cut to length as can be seen in the graphic below. The unbraided strands must lie over the O-ring whose function it is to press the braids of the outer shield onto the metal cable gland. This O-ring does **not** serve the purpose of a sealant.



### 10.2 Cable specification

The following interconnecting cable is used:

The Electrodes and exciter coil are connected using shielded twisted pair wires which have a wire cross section of 0,75mm<sup>2</sup> e.g. SLIYCY-C11Y ( 2x ( 2x 0.75mm<sup>2</sup>)). To protect the cable from external interferences, an additional outer shield covers the twisted-pair wires.

The twisted pair shields are connected to the FE terminals in the junction box of the transmitter, and the outer shield is grounded by means of the special EMC-compliant cable gland of the junction box.



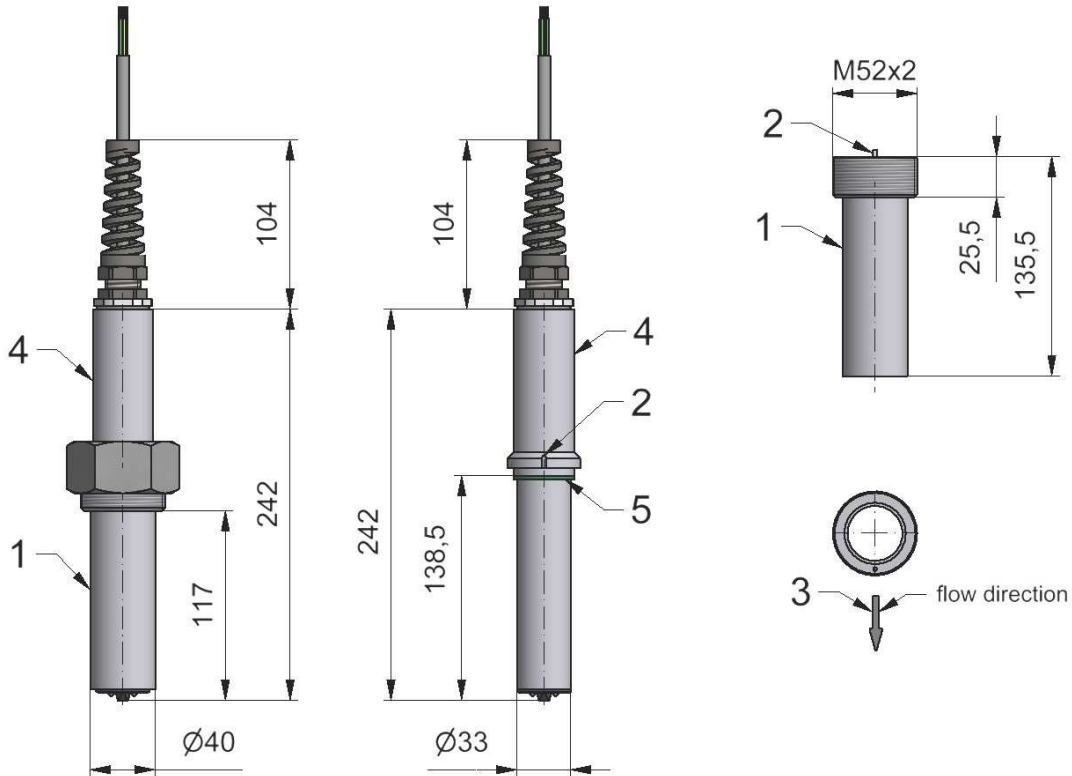
**Caution:**

Do not connect or disconnect the exciter coil cable to the transmitter before the main power supply of the meter has been disconnected!

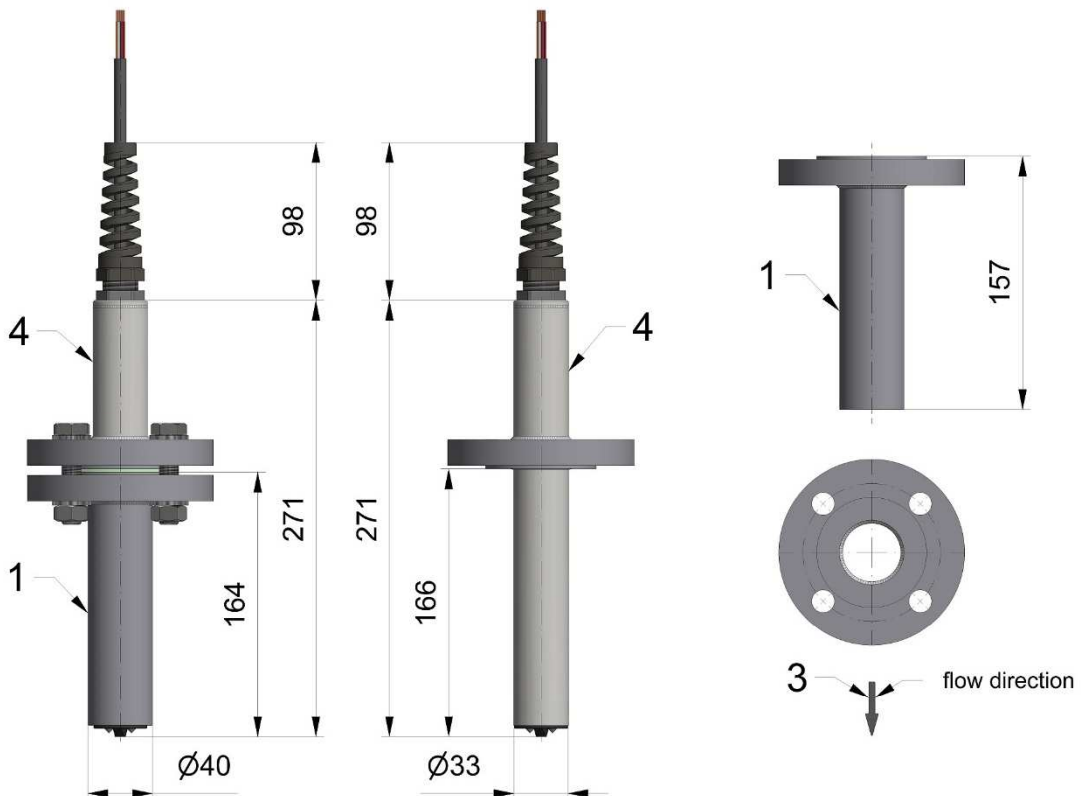
# 11 Dimensions/weight

## 11.1 Dimensional drawings

Threaded version (standard)



Flanged version (optional)



## 12 Declaration of Decontamination for the cleaning of the device

Company: ..... Town/City: .....

Department: ..... Name: .....

Tel.-Nº.: .....

The enclosed flowmeter

Model: PITE.....

Was operated using the following fluid: .....

Since the used fluid is potentially hazardous to water / toxic / corrosive /  
combustible\*,

we have:

- checked all cavities on the device to ensure that they are free of fluid residues \*
- washed and neutralized all cavities on the device\*

\* Delete if not applicable.

We hereby confirm that no health or environmental hazard will arise from any fluid  
residues on or in the device enclosed for return.

Date: .....

Signature: .....

Company stamp

## 13 Declaration of Conformity



### Konformitätserklärung Declaration of Conformity

Nº. 16.4149.01

---

Hersteller: Heinrichs Messtechnik GmbH  
*Manufacturer:* Robert-Perthel-Strasse 9  
50739 Köln

---

Produktbeschreibung: **Magnetisch Induktiver Durchflussmessgerät UMF2 (B) für  
*Product description:* Verwendung mit der Sensorreihe PIT\* und PITE\*  
**Magnetic inductive flowmeter UMF2 (B) for use with the  
sensor series PIT\* and PITE\*****

---

Hiermit erklären wir, in alleinige Verantwortung, dass das oben genannte Messsystem den Anforderungen der folgenden EU-Richtlinien, einschließlich allen bis heute veröffentlichten Änderungen bzw. Nachträgen entspricht:

*We declare herewith, in sole responsibility, that the product described above is conform with the provisions of the following EU-directives, including all published changes and amendments as of today:*

**2014/30/EU (EMC)**

EU-Richtlinie über die Elektromagnetische Verträglichkeit  
*EU-Directive relating to electromagnetic compatibility*

**2014/35/EU (LVD)**

EU-Richtlinie **über die Bereitstellung elektrischer Betriebsmittel zur Verwendung innerhalb bestimmter Spannungsgrenzen auf dem Markt**  
*EU-Directive relating to the making available on the market of electrical equipment designed for use within certain voltage limits*

---

**Anhang N** ist ein integraler Bestandteil dieser Erklärung  
*Annex N is an integral part of this declaration*

Köln, den 27.01.2017

**Kontakt:**  
**Contact:**

Tel: +49 (221) 49708-0  
Email: [info@heinrichs.eu](mailto:info@heinrichs.eu)  
Web: [www.heinrichs.eu](http://www.heinrichs.eu)

Frank Schramm  
(Geschäftsführung /  
Managing Director)



## Anhang N zur Konformitätserklärung Annex N of the Declaration of Conformity

Nº. 16.4149.01

Produktbeschreibung: **Magnetisch Induktiver Durchflussmessgerät UMF2 (B) für**  
*Product description:* **Verwendung mit der Sensorreihe PIT\* und PITe\***  
**Magnetic inductive flowmeter UMF2 (B) for use with the**  
**sensor series PIT\* and PITe\***

Die Konformität mit den auf Seite 1 genannte Richtlinien diese Erklärung wird nachgewiesen durch die Einhaltung folgenden Normen (abhängig von Gerätvariant):  
*Conformity to the Directives referred to on Page 1 of this Declaration is assured through the application of the following standards (depending on version of device):*

Richtlinie Direktive	Norm –Ref. Nr. Standard / Ref. Nº.  DIN-	Ausgabe Edition	Kurz Beschreibung Short Description	UMF2 (B)	PIT*	PITe*
2014/30/EU	EN 61000-6-2	2011-06	Immunity Industry	X	X	X
	EN 61000-6-3	2012-11	Emission residential	X	X	X
	EN 61000-4-2	2009-12	Immunity ESD	X		
	EN 61000-4-4	2013-04	Immunity fast transients / Burst	X		
	EN 61000-4-5	2015-03	Surge voltage immunity	X		
	EN 61000-4-6	2014-08	Immunity conducted disturbances	X		
	EN 61000-4-8	2011-07	Immunity to magnetic fields	X		
	EN 61000-4-11	2005-02	Voltage variations	X		
	EN 61000-4-29	2001-04	DC Voltage variations	X		
	EN 55011	2011-04	Radio frequency disturbance	X	X	X
EN 61326-1	2011-07	EMC requirements	X	X	X	
2014/35/EU	EN 61010	2011-07	Safety requirements	X		

X: Zutreffende Norm / Applicable Standard

Name und Anschrift der Benannte Stelle / Name and Address of the Notified Body

TÜV-SÜD Industrie Service GmbH  
 Westendstraße 199  
 D-80686 München

ID-Nr. / ID-Nº.: RL 2014/68/EU: 0036

## 14 Final Notes

This document is available on our web site [www.heinrichs.eu](http://www.heinrichs.eu). You may download and print it for the sole intension of using it in conjunction with our mass flowmeters. All rights reserved. No instructions, wiring diagrams, and/or supplied software, or any portion thereof, may be reproduced, stored in a retrieval system or transmitted by any means, electronically, mechanically, photocopied or otherwise, without the prior written permission of Heinrichs Messtechnik GmbH.

Although the materials in the present document were prepared with extreme care, errors cannot be ruled out. Hence, neither the company, the programmer nor the author can be held legally or otherwise responsible for any erroneous information and/or any loss or damage arising from the use of the information enclosed.

We plan to optimize and improve the products described and in so doing will incorporate not only our own ideas but also, and in particular, any suggestions for improvement made by our customers. If you feel that you can contribute to the improvement and quality of our products, please send your suggestions to the following address: [info@heinrichs.eu](mailto:info@heinrichs.eu)



We reserve the right to change the technical data in this manual in the light of any technical progress that might be made. For updates regarding this product, visit our website at [www.heinrichs.eu](http://www.heinrichs.eu), where you will also find contact information for the Heinrichs Messtechnik distributor nearest you. For information regarding our own sales operations, contact us at [info@heinrichs.eu](mailto:info@heinrichs.eu).

Heinrichs Messtechnik GmbH  
Robert-Perthel-Straße 9  
D 50739 Cologne  
Telephone: +49 (221) 4 97 08 - 0  
Telefax: +49 (221) 4 97 08 - 178  
Internet: <http://www.heinrichs.eu>  
Email: [info@heinrichs.eu](mailto:info@heinrichs.eu)

Dimensions, weights and other  
technical data are subject to  
change without any notice.

Printed in Germany

File: DRAFT-  
PITE\_BA\_02\_EN\_25-01-  
2017

Pages 22