



Ball Valve Shut-Off for Measuring Device*

for sensors with screw thread G ¼ and G ½



measuring
•
monitoring
•
analysing

KUG-S



- p_{\max} : PN25; t_{\max} : 120 °C
- Connections: Rp ½ ... Rp 2
- Sensor thread:
G ¼ and G ½ acc. to DIN 3852
- Sensor replacement possible without draining the piping
- No other ball valve required
- Integrated sensor mounting – the shut-off and the sensor are all in one unit
- Space-saving compact design

* Supplied without sensor



Z1

KOBOLD companies worldwide:

ARGENTINA, AUSTRALIA, AUSTRIA, BELGIUM, BULGARIA, CANADA, CHILE, CHINA, COLOMBIA, CZECHIA, EGYPT, FRANCE, GERMANY, GREAT BRITAIN, HUNGARY, INDIA, INDONESIA, ITALY, MALAYSIA, MEXICO, NETHERLANDS, PERU, POLAND, REPUBLIC OF KOREA, ROMANIA, SINGAPORE, SPAIN, SWITZERLAND, TAIWAN, THAILAND, TUNISIA, TURKEY, USA, VIETNAM

KOBOLD Messring GmbH
Nordring 22-24
D-65719 Hofheim/Ts.
☎ Head Office:
+49(0)6192 299-0
+49(0)6192 23398
✉ info.de@kobold.com
www.kobold.com

Application

When used in conjunction with our KUG-S ball valve shut-offs for measuring devices, KOBOLD sensors for measuring such variables as pressure, temperature or flow can be installed as part of a compact unit in pipe systems. This system allows easy and economical sensor removal for maintenance or replacement without having to drain the pipe system.

This shut-off valve features a large ball with a groove that holds the sensor. This design allows sensors of the same length to be installed in valves of different nominal diameters.

Design

Threaded construction with full-bore.

Technical Details

Process connections: female thread Rp ½ ... Rp 2 (DIN 2999)
 Sensor thread: G ¼ and G ½ (DIN 3852)
 Temperature range: max. +120 °C
 Nominal pressure: PN25
 Operation: 90° rotation of handle

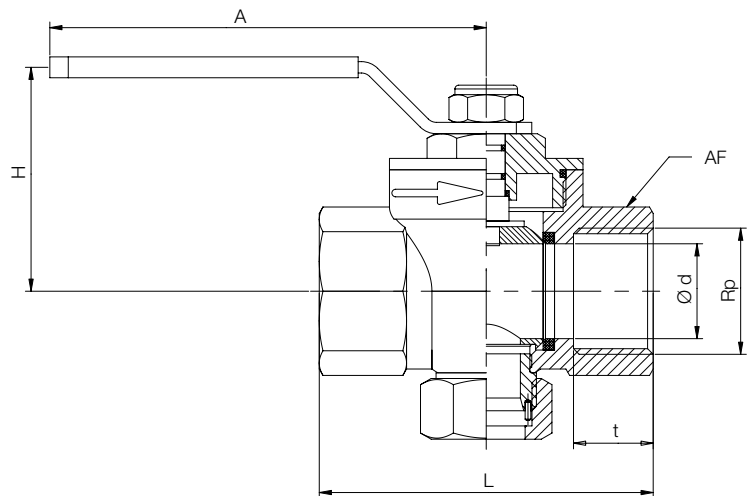
Materials

Body: brass, nickel-plated
 Ball: brass, chrome-plated
 Ball gasket: PTFE, pure
 Spindle gasket: EPDM
 Handle: steel, zinc-coated with PVC-grip

Scope of supply

Shut-off for measuring device, sealing plug and gasket

KUG-S



Dimensions and Order Details (example: KUG-S1R 15)

Screw thread [Rp]	Order no. sensor G ¼	Order no. sensor G ½	DN [mm]	Ø d [mm]	L [mm]	t [mm]	H [mm]	AF [mm]	A [mm]
½	KUG-S1R 15	KUG-S2R 15*	15	20	90	18	50	32	95
¾	-	KUG-S2R 20	20	20	73	18	50	32	95
1	-	KUG-S2R 25	25	25	88	21	59	41	115
1¼	-	KUG-S2R 32	32	32	100	24	65	50	115
1½	-	KUG-S2R 40	40	40	110	24	77	54	150
2	-	KUG-S2R 50	50	50	131	28	85	70	150

* Equal to KUG-S2R20 with reducer to Rp ½