



Deep-Well Probes



measuring
•
monitoring
•
analysing

NTB



- Measuring range:
0-1 ... 0-200 m water column
- Linearity: $\pm 0.25\%$
- Material: stainless steel,
polyurethane (cable)
- Reliable
- Compact
- Dirt resistant



N2

KOBOLD companies worldwide:

ARGENTINA, AUSTRALIA, AUSTRIA, BELGIUM, BULGARIA, CANADA, CHILE, CHINA, COLOMBIA, CZECHIA, EGYPT, FRANCE, GERMANY, GREAT BRITAIN, HUNGARY, INDIA, INDONESIA, ITALY, MALAYSIA, MEXICO, NETHERLANDS, PERU, POLAND, REPUBLIC OF KOREA, ROMANIA, SINGAPORE, SPAIN, SWITZERLAND, TAIWAN, THAILAND, TUNISIA, TURKEY, USA, VIETNAM

KOBOLD Messring GmbH
Nordring 22-24
D-65719 Hofheim/Ts.
Head Office:
+49(0)6192 299-0
+49(0)6192 23398
info.de@kobold.com
www.kobold.com

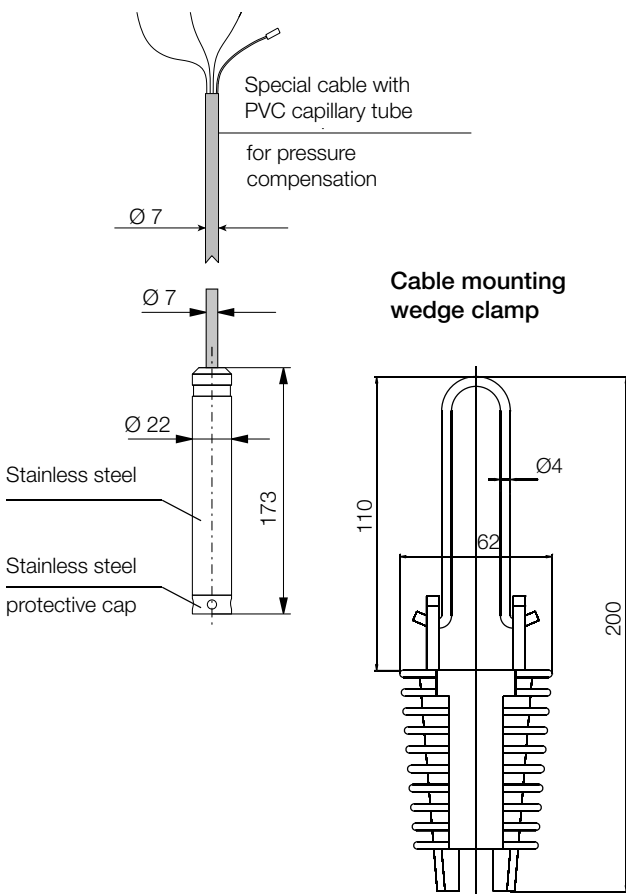
Description

The immersion probe comprises a measuring cell, two-wire transmitter and a special cable with capillary tube. The housing comprises stainless steel with a pressure-sensitive diaphragm that is protected with a stainless steel cap. The level signal is determined by the pressure difference between the water column over the probe and atmospheric pressure which is transferred to the probe through the capillary tube. This differential pressure is converted to a 4...20 mA analogue signal by the piezo-resistive cell and the fitted electronics.

Application

The NTB deep-well probe is used for hydrostatic level measuring in wells, reservoirs, clarification plants and other vessels. Due to its small physical size, it is very easy to install and is ideally suited for protecting submersible pumps in deep wells.

Dimensions, Electrical Connection [mm]



Technical Details

Hydrostatic sensor

Measuring range
NTB-1: 0...200 m water column

Material

Sensor: stainless steel 1.4404
 Probe: stainless steel 1.4571
 Cable: polyurethane
 Sealing: FPM
 Cap: stainless steel 1.4571
 Overload capacity: 3x measuring range
 Output signal: 4...20 mA HART®, 2-wire
 Linearity: ± 0,25%

Effects of ambient temperature: ± 0,1%/10 K
 Auxiliary power: 12...30 V_{DC}
 Load: $R_{min} = \frac{U_t - 12 V}{0,02 A}$ Ω,
 U_t = auxiliary power

Protection: IP 68
 Operating temperature: -10°C...+60°C
 Dimensions of probe: Ø 22 x 173 mm
 Wire cross-section: 0.34 mm²
 Cable length: up to 300 m (see order details)

Overvoltage protection

NTB-OVP12: field mounting
 NTB-OVP32: rail DIN 46277-3

Maximum voltage (peak value)

Slow: 90 V pp
 Fast: 30 V pp
 Series resistor: 13 Ω ±10%
 Pulse power: 600 W / 1 ms
 Protection: IP 54 (NTB-OVP 12)
 IP 20 (NTB-OVP 32)

NTB in systems with PC

Using a PC and HART® modem (e.g. model HARTCOMM), it is possible to create your own multi-drop HART® network, where the PC displays all NTB measurement data and also allows reprogramming of the units as necessary. In this way the outputs derived from the displayed data can be programmed via the PC, which acts as the master. A maximum of 15 transmitters can be connected to one HART® modem and KOBOLD's NUS-NTB-NRM-SW software can be used for configuration.

Order Details (Example: NTB-1301 01)

Deep-well probe		
Measuring range	Order no.	Cable length
1 mWC	NTB-1301...	...01 = 1 m ...10 = 10 m ...3H = 300 m ...YY = other
2 mWC	NTB-1302...	
5 mWC	NTB-1305...	
10 mWC	NTB-1310...	
20 mWC	NTB-1320...	
50 mWC	NTB-1350...	
100 mWC	NTB-131H...	
200 mWC	NTB-132H...	
other	NTB-13YY...	

Order no. HART® modem: **HARTCOMM** (Download of configuration software NUS-NTB-NRM-SW at www.kobold.com)



Accessories housing	Order no.
Overvoltage protection field mounting	NTB-OVP12
Overvoltage rail mounting	NTB-OVP32
Cable mounting wedge clamp	NTB-NAA209