



## Sight Glass with Drip Tube

threaded connection · for liquids



measuring  
·  
monitoring  
·  
analysing

### DAT-1



- $p_{\max}$ : 40 bar;  $t_{\max}$ : 280 °C
- Connection:  
G 1/4 ... G 2,  
1/4" NPT ... 2" NPT
- Material:  
grey cast iron, cast steel,  
stainless steel

96



KOBOLD companies worldwide:

AUSTRALIA, AUSTRIA, BELGIUM, BULGARIA, CANADA, CHINA, CZECHIA, FRANCE, GERMANY, GREAT BRITAIN, HUNGARY, INDIA, INDONESIA, ITALY, MALAYSIA, MEXICO, NETHERLANDS, PERU, POLAND, REPUBLIC OF KOREA, RUSSIA, SPAIN, SWITZERLAND, THAILAND, TUNISIA, TURKEY, USA, VIETNAM

KOBOLD Messring GmbH  
Nordring 22-24  
D-65719 Hofheim/Ts.  
Head Office:  
+49(0)6192 299-0  
+49(0)6192 23398  
info.de@kobold.com  
www.kobold.com



**Sight Glass with Drip Tube** · threaded connection Model DAT-1

**Materials / Mounting position**

	DAT-11	DAT-13	DAT-12
Housing*	grey cast iron GG 25 (EN-GJL-250) 0.6025	cast steel GS-C 25 1.0619	stainless steel 1.4408
Cover plates	grey cast iron GG 25 (EN-GJL-250) 0.6025	cast steel GS-C 25 1.0619	stainless steel 1.4408
Sight glass	Soda-lime glass DIN 8902 (up to 150 °C); Option: borosilicate glass DIN 7080 (up to 280 °C)		
Screws	zinc plated steel		stainless steel
Seals	graphite (PTFE or others on request)		
Mounting position	any position, preferably vertical, flow from top		
Operating pressure	16 bar (Option 25 bar or 40 bar for DAT-12... and DAT-13...)		

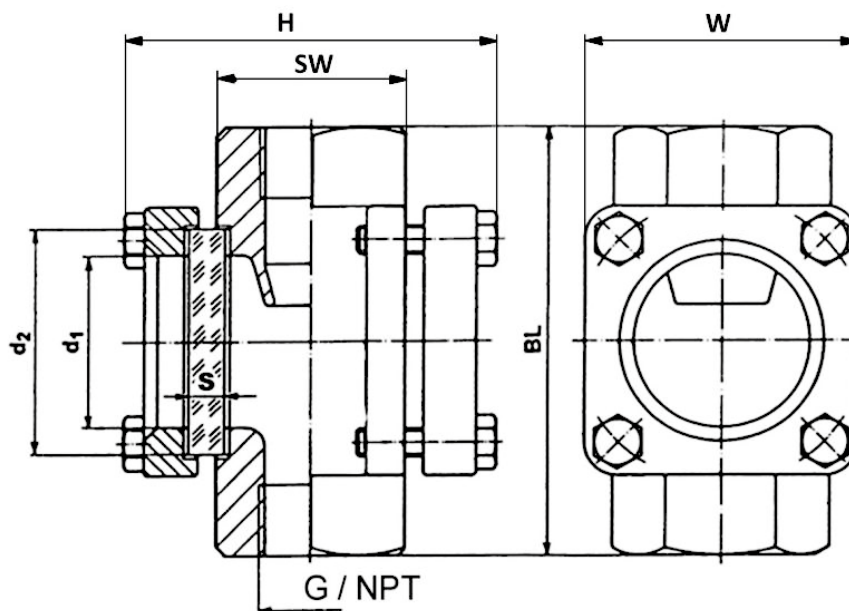
\* Up to 1": inlet with half face plate; 1 ¼" to 2": drip tube

**Order Details** (Example: **DAT-1101H R08**)

Nominal size	DAT-11	DAT-13	DAT-12	Connection		Option
	Soda-lime glass, graphite-seal			G-thread	NPT-thread*	
¼"	DAT-1101H..	DAT-1301H..	DAT-1201H..	R08	N08	Please add option letter to order number  Option 'B' = borosilicate glass, graphite-seal Option 'P' = 25 bar for DAT-12.. and DAT-13.. Option 'Q' = 40 bar for DAT-12.. and DAT-13..
⅜"	DAT-1102H..	DAT-1302H..	DAT-1202H..	R10	N10	
½"	DAT-1103H..	DAT-1303H..	DAT-1203H..	R15	N15	
¾"	DAT-1104H..	DAT-1304H..	DAT-1204H..	R20	N20	
1"	DAT-1105H..	DAT-1305H..	DAT-1205H..	R25	N25	
1 ¼"	DAT-1106H..	DAT-1306H..	DAT-1206H..	R32	N32	
1 ½"	DAT-1107H..	DAT-1307H..	DAT-1207H..	R40	N40	
2"	DAT-1108H..	DAT-1308H..	DAT-1208H..	R50	N50	

\* Not for DAT-11 grey cast iron instruments

## Dimensions [mm]



## Dimensions (Material grey cast iron) for pressure rating PN16

G	BL [mm]	H [mm]	SW [mm]	W [mm]	d1 [mm]	d2 [mm]	Glass thickness (S) at PN16 [mm]	Approximate weight DAT-11... [kg]
G ¼ G ⅜ G ½	100	110	36	70	32	45	10	2.2
G ¾ G1	120	120	46	85	45	63	10	3.4
G 1 ¼ G 1 ½	160	155	75	110	65	80	12	7.0
G 2	180	170	80	120	80	100	15	8.6

## Dimensions (Material cast steel or stainless steel) for pressure rating PN 16 (PN 25 / PN 40 on request)

G	BL [mm]	H [mm]	SW [mm]	W [mm]	d1 [mm]	d2 [mm]	Glass thickness (S) at PN16 [mm]	Approximate weight DAT-12... DAT-13... [kg]
G ¼ G ⅜ G ½	100	110	36	70	32	45	10	2.2
G ¾ G1	120	120	46	85	45	63	10	3.4
G 1 ¼ G 1 ½	160	155	75	110	65	80	12	7.0
G 2	230	180	Ø 90	120	80	100	15	10.2



## Sight Glass with Drip Tube

flanged connection · for liquids



measuring  
·  
monitoring  
·  
analysing

### DAT-2



- $p_{\max}$ : 40 bar;  $t_{\max}$ : 280 °C
- Connection:  
DN 15 ... DN 200  
ANSI-flange on request
- Material:  
grey cast iron, cast steel,  
stainless steel

96



KOBOLD companies worldwide:

AUSTRALIA, AUSTRIA, BELGIUM, BULGARIA, CANADA, CHINA, CZECHIA, FRANCE, GERMANY, GREAT BRITAIN, HUNGARY, INDIA, INDONESIA, ITALY, MALAYSIA, MEXICO, NETHERLANDS, PERU, POLAND, REPUBLIC OF KOREA, RUSSIA, SPAIN, SWITZERLAND, THAILAND, TUNISIA, TURKEY, USA, VIETNAM

KOBOLD Messring GmbH  
Nordring 22-24  
D-65719 Hofheim/Ts.  
Head Office:  
+49(0)6192 299-0  
+49(0)6192 23398  
info.de@kobold.com  
www.kobold.com



**Material/Mounting position**

	DAT-21	DAT-23	DAT-22
Housing	grey cast iron GG 25 (EN-GJL-250) 0.6025	cast steel GS-C 25 1.0619	stainless steel 1.4408
Cover plates	grey cast iron GG 25/ S235JRG2	cast steel GS-C 25/ S235JRG2	stainless steel 1.4408/1.4301
Sight glass	soda-lime glass DIN 8902 (up to 150 °C) option: borosilicate glass DIN 7080 (up to 280 °C)		
Screws	zinc plated steel		stainless steel
Seals	graphite (PTFE or other on request)		
Mounting position	any position, preferably vertical, flow from top		
Operating pressure	16 bar (option 25 bar or 40 bar for DAT-22... and DAT-23..)		

**Order Details** (Example: **DAT-2201H F15**)

	DAT-21	DAT-23	DAT-22	Connection		Option
	Soda-lime glass, graphite-seal			Flange EN 1092-1	ANSI- flange (only on request)	
Nominal size	Grey cast iron	Cast steel	Stainless steel			Please add option letter to order number
15	DAT-2101H..	DAT-2301H..	DAT-2201H..	F15	A15	Option 'B' = borosilicate glass, graphite-seal Option 'P' = 25 bar for DAT-22.. and DAT-23.. Option 'Q' = 40 bar for DAT-22.. and DAT-23..
20	DAT-2102H..	DAT-2302H..	DAT-2202H..	F20	A20	
25	DAT-2103H..	DAT-2303H..	DAT-2203H..	F25	A25	
32	DAT-2104H..	DAT-2304H..	DAT-2204H..	F32	A32	
40	DAT-2105H..	DAT-2305H..	DAT-2205H..	F40	A40	
50	DAT-2106H..	DAT-2306H..	DAT-2206H..	F50	A50	
65	DAT-2107H..	DAT-2307H..	DAT-2207H..	F65	A65	
80	DAT-2108H..	DAT-2308H..	DAT-2208H..	F80	A80	
100	DAT-2109H..	DAT-2309H..	DAT-2209H..	F1H	A1H	
125	DAT-2110H..	DAT-2310H..	DAT-2210H..	F1Z	A1Z	
150**	DAT-2111H..	DAT-2311H..	DAT-2211H..	F1F	A1F	
200**	DAT-2112H..	DAT-2312H..	DAT-2212H..	F2H	A2H	

\*\* With Instrument glass only PN10, PN16 with option 'B' possible

## Dimensions for pressure rating PN 16

DN	H [mm]	W [mm]	D [mm]	BL [mm]	d1 [mm]	d2 [mm]	Glass thickness (S) at PN16* [mm]	Approximate weight [kg]	
								DAT-21..	DAT-22.. DAT-23..
15	95	70	95	130	32	45	10	3.6	3.6
20	95	70	105	150	32	45	10	4.0	4.0
25	115	85	115	160	48	63	10	6.0	6.3
32	115	85	140	180	48	63	10	7.0	7.4
40	135	110	150	200	65	80	12	10.0	10.6
50	160	120	165	230	80	100	15	13.2	14.4
65	185	Ø 175	185	290	80	100	15	22.1	24.0
80	210	Ø 190	200	310	100	125	20	29.9	31.6
100	250	Ø 210	220	350	125	150	25	38.4	41.7
125	265	Ø 235	250	400	150	175	25	47.0	47.0
150	290	Ø 260	285	480	175	200	25**	59.0	67.0
200	360	Ø 285	340	600	175	200	25**	98.0	118.0

\* Pressure rating PN25/PN40 on request!

\*\* With soda-lime glass only PN 10, PN 16 with option 'B' possible

